

PARTS LIST

MARINE GASOLINE GENERATORS

20.0 BEG-60 Hz 16.0 BEG-50 Hz

25.0 BEG-60 Hz 20.0 BEG-50 Hz

**PUBLICATION NO. 048000
1ST Edition
December 2002**



**WESTERBEKE CORPORATION
150 JOHN HANCOCK ROAD
TAUNTON, MA 02780-7319 U.S.A.
WWW.WESTERBEKE.COM**

Gasoline with an ETHANOL content higher than 10% (E10) is **not allowed and may void warranty.**



WESTERBEKE™
Engines & Generators

PARTS LIST

MARINE GASOLINE GENERATORS

20.0 BEG-60 Hz 16.0 BEG-50 Hz

25.0 BEG-60 Hz 20.0 BEG-50 Hz

**PUBLICATION NO. 048000
1ST Edition
December 2002**



**WESTERBEKE CORPORATION
150 JOHN HANCOCK ROAD
TAUNTON, MA 02780-7319 U.S.A.
WWW.WESTERBEKE.COM**

IMPORTANT

PRODUCT SOFTWARE DISCLAIMER

Product software of all kinds such as brochures, drawings, technical data, operator's and workshop manuals, parts lists and parts price lists, and other information, instructions and specifications provided from sources other than Westerbeke, is not within Westerbeke's control and, accordingly, is provided to Westerbeke customers only as a courtesy and service. **Westerbeke cannot be responsible for the content of such software, makes no warranties or representations with respect thereto, including the accuracy, timeliness or completeness thereof, and will in no event be liable for any type of damages or injury incurred in connection with, or arising out of, the furnishing or use of such software.**

For example, components and subassemblies incorporated in Westerbeke's products and supplied by others (such as engine blocks, fuel systems and components, transmissions, electrical components, pumps and other products) are generally supported by their manufacturers with their own software, and Westerbeke must depend on such software for the design of Westerbeke's own product software. Such software may be outdated and no longer accurate. Routine changes made by Westerbeke's suppliers, of which Westerbeke rarely has notice in advance, are frequently not reflected in the supplier's software until after such changes take place.

Westerbeke customers should also keep in mind the time span between printings of Westerbeke product software, and the unavoidable existence of earlier, non-current Westerbeke software editions in the field. Additionally, most Westerbeke products include customer-requested special features that frequently do not include complete documentation.

In summation, product software provided with Westerbeke products, whether from Westerbeke or other suppliers, must not and cannot be relied upon exclusively as the definitive authority on the respective product. It not only makes good sense but is imperative that appropriate representatives of Westerbeke or the supplier in question be consulted to determine the accuracy and currency of the product software being consulted by the customer.

60 Hertz Generator

50 Hertz Generator

20.0 BEG

16.0 BEG

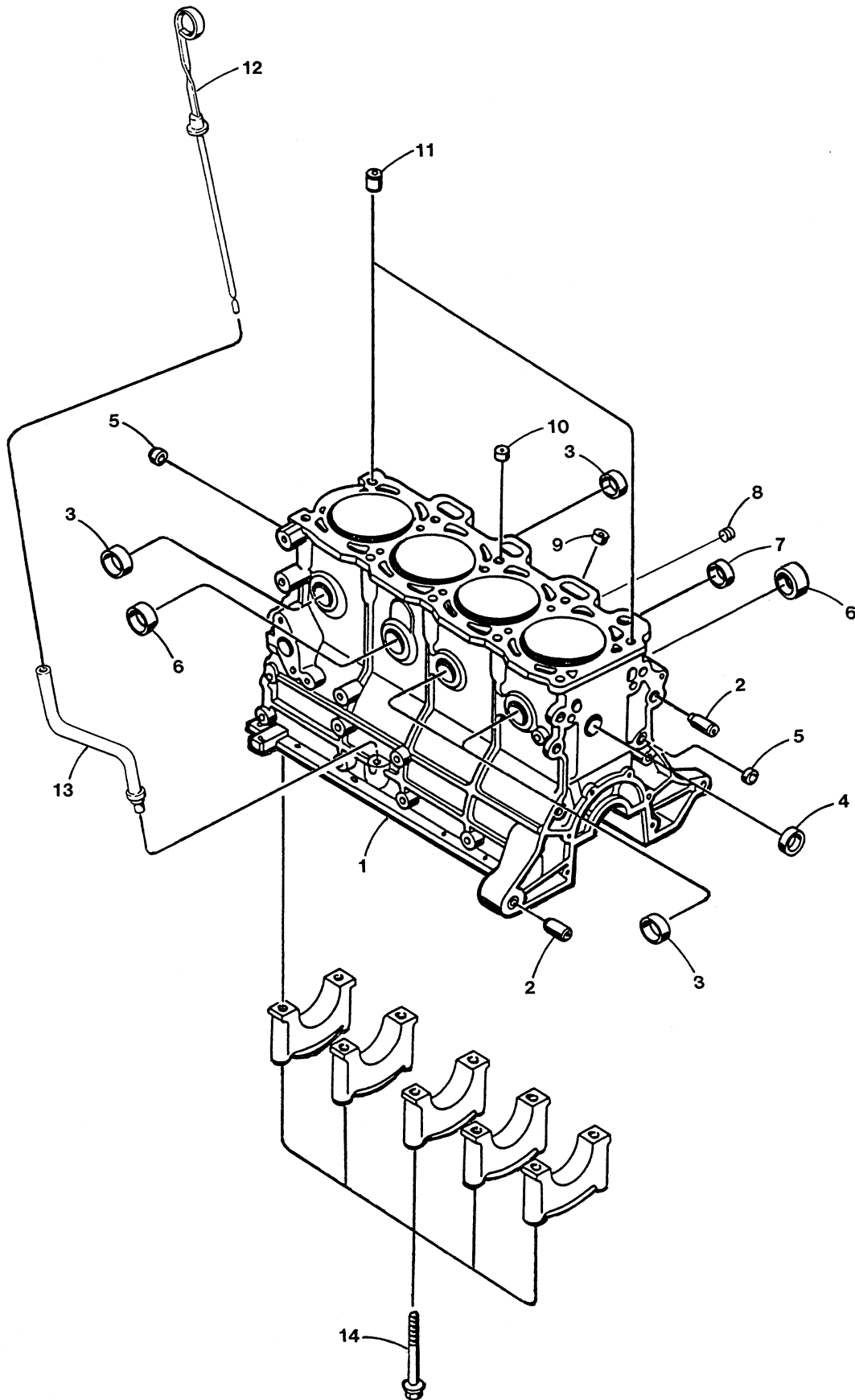
25.0 BEG

20.0 BEG

TABLE OF CONTENTS

PAGE	DESCRIPTION
100	CYLINDER BLOCK
102	CYLINDER HEAD - ROCKER COVER
104	CRANKSHAFT - PISTONS
106	VALVES - ROCKER SHAFT - CAMSHAFT
108	TIMING COVER - SUMP - REAR OIL SEAL
110	LUBE OIL PUMP AND FILTER
112	FRESH WATER PUMP - THERMOSTAT
114	EXHAUST MANIFOLD - HEAT EXCHANGER
116	SEA WATER PUMP
118	GOVERNOR - BELTS - BELT GUARD - ALTERNATOR
122	GASDENSER AND LIFT PUMP
124	INTAKE MANIFOLD AND FUEL SYSTEM
126	GASOLINE CARBURETOR
130	MOUNTING SYSTEM
132	BACK END - GENERATOR
136	AC OUTPUT AND REGULATOR
138	AC OUTPUT CIRCUIT BREAKER 1 PHASE
140	DISTRIBUTOR - COIL - SPARKPLUG
142	ELECTRICAL SYSTEM
144	GENERATOR CONTROL PANEL
146	REMOTE CONTROL PANELS
148	MISCELLANEOUS

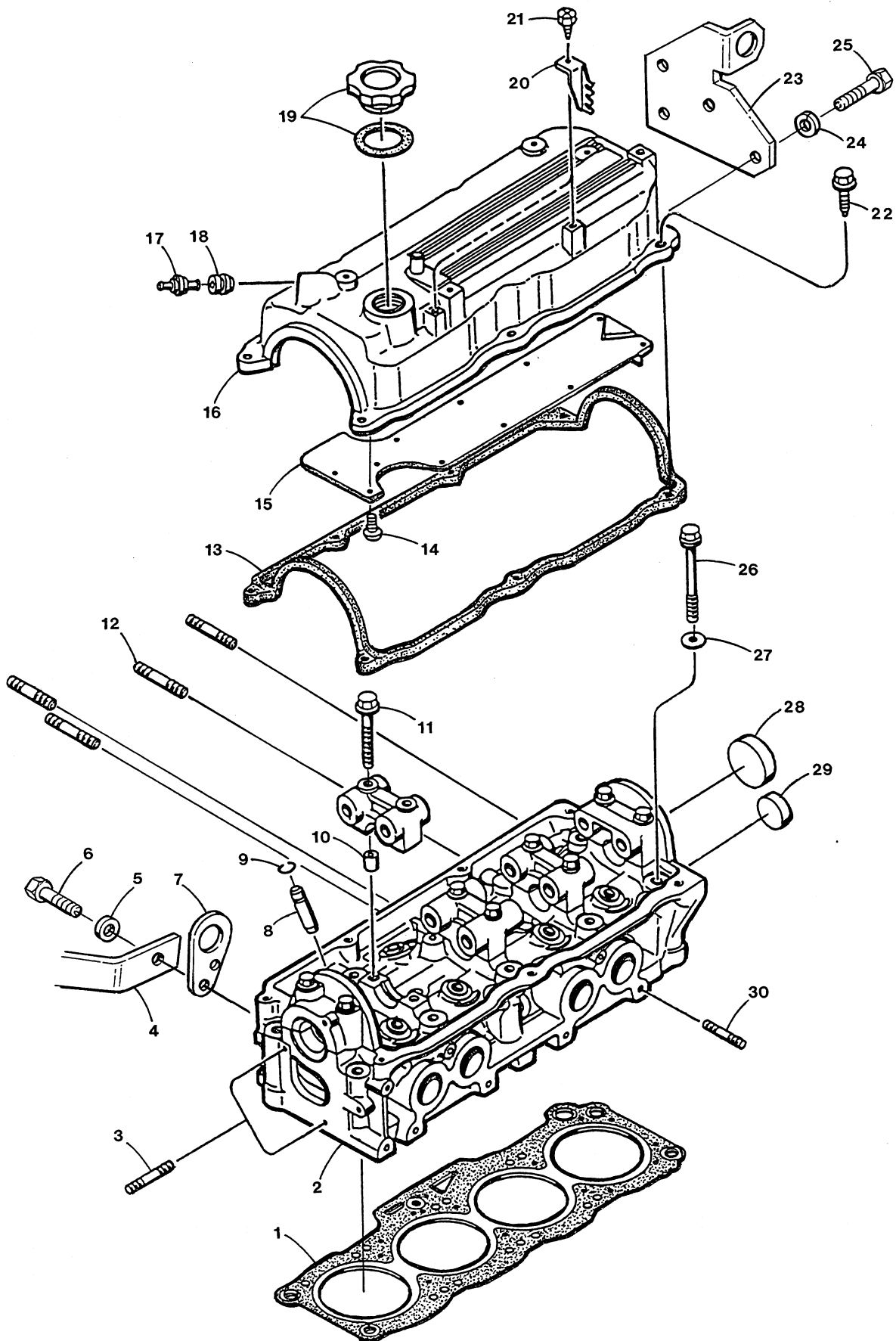
WESTERBEKE 20.0-25.0 BEG - CYLINDER BLOCK



WESTERBEKE 20.0-25.0 BEG - CYLINDER BLOCK

REF	PN	NAME	REMARKS	QUAN
1	040755	ENGINE	ASSEMBLY	1
2	034169	DOWEL	TUBULAR	2
3	033657	PLUG	EXPANSION 40MM DIN 443	4
4	024374	PLUG	EXPANSION 30MM DIN 443	2
5	034119	PLUG		2
6	024349	PLUG	EXPANSION 35MM DIN 443	2
7	024373	PLUG	EXPANSION 25MM DIN 443	2
8	030711	PLUG	1/8BSPT SOCKET	1
9	040776	PLUG		1
10	040774	PLUG	OIL CONTROL	1
11	040758	DOWEL	TUBULAR	2
12	040781	DIPSTICK		1
13	040780	TUBE	DIPSTICK	1
14	040777	BOLT	MAIN BEARING CAP	10

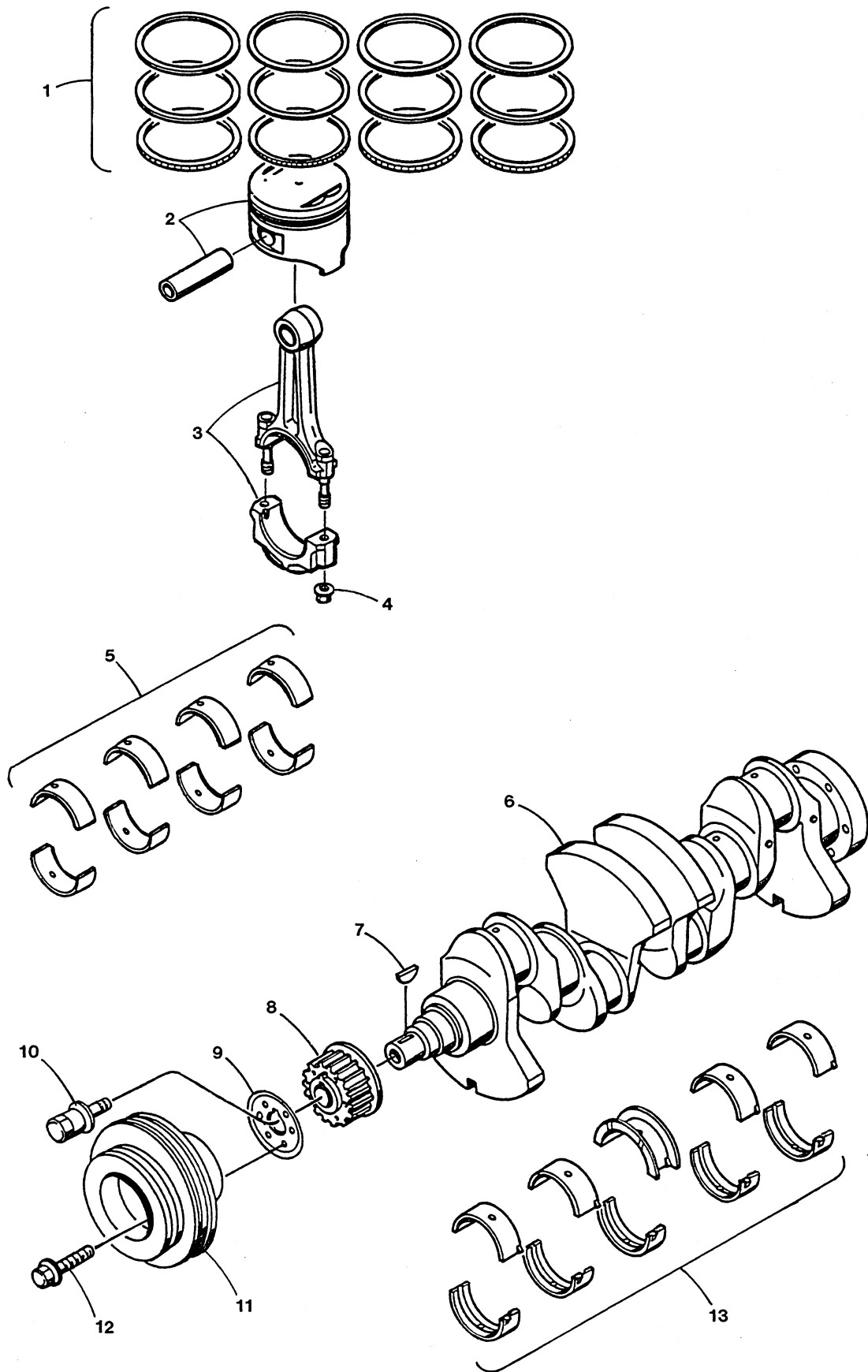
WESTERBEKE 20.0-25.0 BEG - CYLINDER HEAD



WESTERBEKE 20.0-25.0 BEG - CYLINDER HEAD

REF	PN	NAME	REMARKS	QUAN
1	040772	GASKET	HEAD	1
2	040757	HEAD	CYLINDER	1
3	042186	STUD	M 8 X 28 DIN 939	2
4	040618	BRACKET	GOVERNOR SUPPORT	1
5	031786	LOCKWASHER	M 8 DIN 127	1
6	013630	CAPSCREW	M 8 X 25 DIN 933	1
7	040611	EYE	LIFTING	1
8	040773	GUIDE	VALVE INCLUDING CLIP	8
9	034118	CLIP	VALVE GUIDE	8
10	034167	DOWEL	TUBULAR	10
11	045392	CAPSCREW	M 8 X 65 JIS-FLANGE 8T	10
12	015830	STUD	M 8 X 25 DIN 939	6
13	040771	GASKET	ROCKER COVER	1
14	034172	SCREW	M 4 X 8	10
15	040770	PLATE	OIL BAFFLE	1
16	040768	COVER	ROCKER INCLUDING REF 14-15	1
17	033808	VALVE	PCV	1
18	034078	SEAL	PCV VALVE	1
19	040151	CAP	OIL FILL INCLUDING GASKET	1
20	040769	BRACKET	PLUG WIRES	2
21	034175	SCREW	M 5 X 12 TAPPING	2
22	044030	CAPSCREW	M 6 X 30 JIS-FLANGE	7
23	040557	BRACKET	COIL	1
24	031786	LOCKWASHER	M 8 DIN 127	2
25	017196	CAPSCREW	M 8 X 20 DIN 933	2
26	040760	BOLT	CYLINDER HEAD	10
27	040761	WASHER	CYLINDER HEAD BOLT	10
28	040767	PLUG	HEAD	1
29	033657	PLUG	EXPANSION 40MM DIN 443	1
30	015830	STUD	M 8 X 25 DIN 939	6

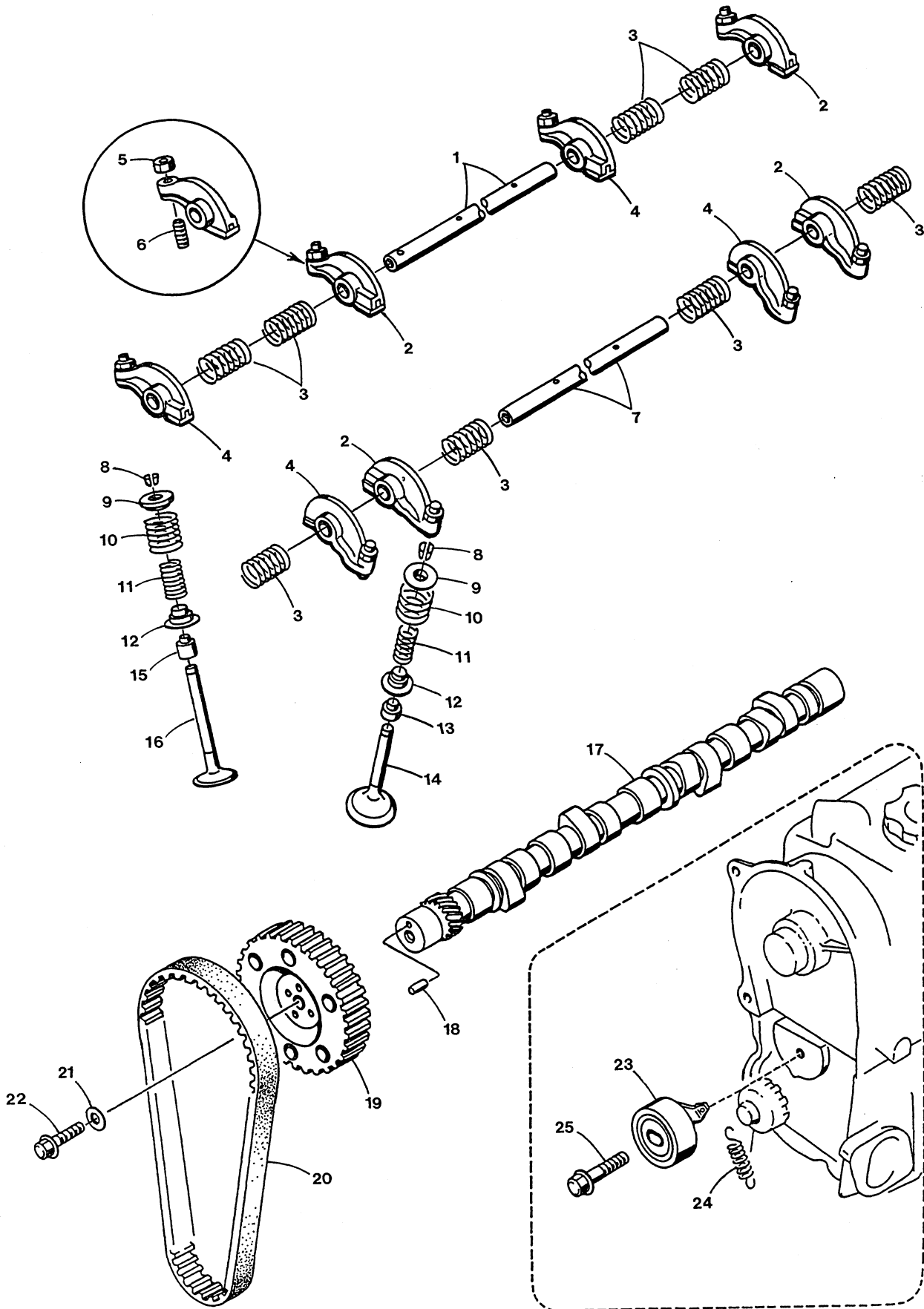
WESTERBEKE 20.0-25.0 BEG - CRANKSHAFT AND PISTONS



WESTERBEKE 20.0-25.0 BEG - CRANKSHAFT AND PISTONS

REF	PN	NAME	REMARKS	QUAN
1-1	040805	RING SET	STD	1
1-2	040806	RING SET	0.25	1
1-3	040807	RING SET	0.50	1
2-1	040802	PISTON	STD	4
2-2	040803	PISTON	0.25	4
2-3	040804	PISTON	0.50	4
3	040792	ROD	CONNECTING INCL NUT	4
4	030999	NUT	CONNECTING ROD	8
5-1	040874	BEARING	SET CONNECTING ROD STD	1
5-2	040875	BEARING	SET CONNECTING ROD 0.25	1
5-3	040876	BEARING	SET CONNECTING ROD 0.50	1
5-4	040877	BEARING	SET CONNECTING ROD 0.75	1
6	040793	CRANKSHAFT		1
7	040796	KEY	WOODRUFF	1
8	040797	PULLEY	TIMING BELT	1
9	040800	PLATE	TIMING BELT GUIDE	1
10	040801	BOLT	CRANKSHAFT PULLEY	1
11	040881	PULLEY	CRANKSHAFT	1
12	040798	CAPSCREW	CRANKSHAFT PULLEY	6
13-1	040808	BEARING	SET MAIN STD	1
13-2	040809	BEARING	SET MAIN 0.25	1
13-3	040810	BEARING	SET MAIN 0.50	1
13-4	040811	BEARING	SET MAIN 0.75	1

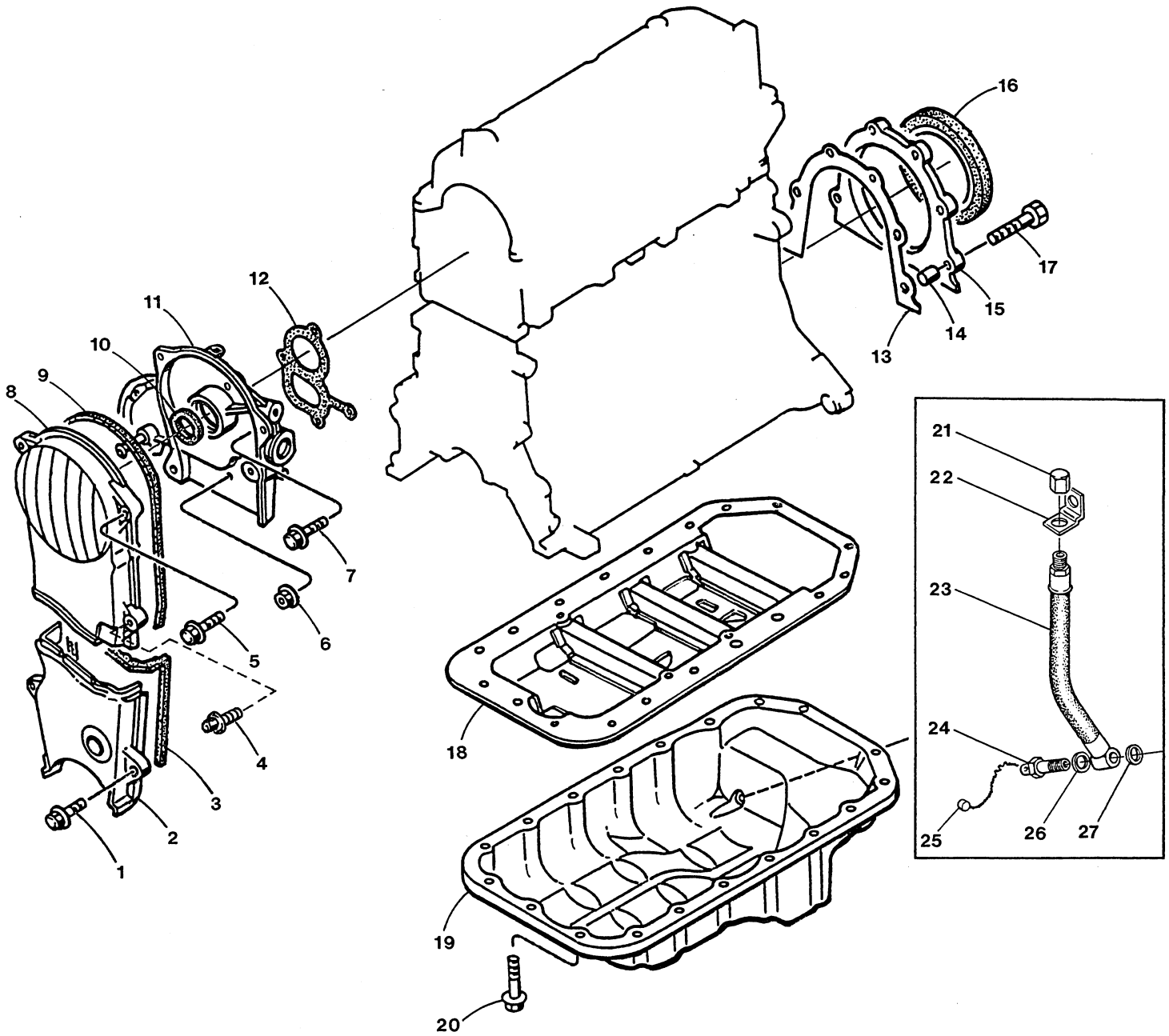
WESTERBEKE 20.0-25.0 BEG - CAMSHAFT AND ROCKER SHAFT



WESTERBEKE 20.0-25.0 BEG - CAMSHAFT AND ROCKER SHAFT

REF	PN	NAME	REMARKS	QUAN
1	040822	SHAFT	ROCKER INTAKE	1
2	040821	ROCKER	INCLUDING SCREW & NUT	4
3	040823	SPRING	ROCKER SHAFT	8
4	040818	ROCKER	INCLUDING SCREW & NUT	4
5	040820	NUT		8
6	040819	SCREW	ROCKER ADJUST	8
7	040824	SHAFT	ROCKER EXHAUST	1
8	034142	COTTER	VALVE	16
9	040813	SEAT	VALVE SPRING UPPER	8
10	040817	SPRING	VALVE OUTER	8
11	040814	SPRING	VALVE INNER	8
12	040815	SEAT	VALVE SPRING LOWER	8
13	040762	SEAL	EXHAUST VALVE	4
14	040816	VALVE	EXHAUST	4
15	040763	SEAL	INTAKE VALVE	4
16	040812	VALVE	INTAKE	4
17	040826	CAMSHAFT	INCLUDING REF 18	1
18	040759	PIN SET	CAMSHAFT	1
19	040827	PULLEY	TIMING BELT	1
20	040825	BELT	TIMING	1
21	040829	WASHER	CAMSHAFT PULLEY	1
22	040828	BOLT	CAMSHAFT PULLEY	1
23	040830	TENSIONER	TIMING BELT	1
24	040831	SPRING	TENSIONER	1
25	045393	CAPSCREW	M10 X 1.25 X 45 JIS-FLANGE	1

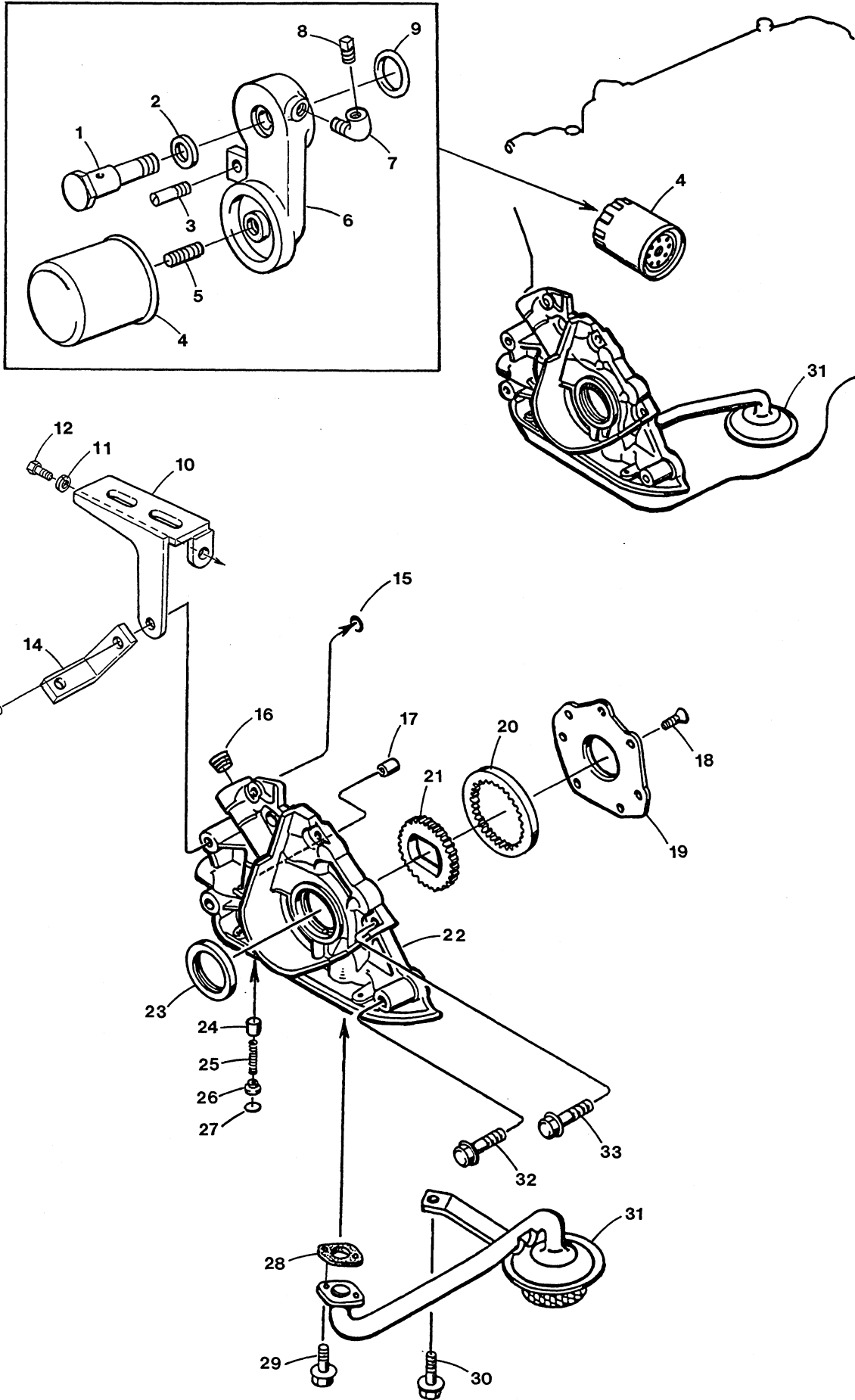
WESTERBEKE 20.0-25.0 BEG - TIMING COVER - SUMP - REAR OIL SEAL



WESTERBEKE 20.0-25.0 BEG - TIMING COVER - SUMP - REAR OIL SEAL

REF	PN	NAME	REMARKS	QUAN
1	044030	CAPSCREW	M 6 X 30 JIS-FLANGE	2
2	040782	COVER	TIMING LOWER INCLUDING GASKET	1
3	040783	GASKET	TIMING COVER LOWER	1
4	044032	CAPSCREW	M 6 X 45 JIS-FLANGE	1
5	044030	CAPSCREW	M 6 X 30 JIS-FLANGE	3
6	033668	NUT	M 8 JIS-FLANGE	2
7	041425	CAPSCREW	M 8 X 20 JIS-FLANGE	2
8	040784	COVER	TIMING UPPER INCLUDING GASKET	1
9	040785	GASKET	TIMING COVER UPPER	1
10	040790	SEAL	OIL	1
11	040765	HOUSING	TIMING INCLUDING SEAL	1
12	040766	GASKET	HOUSING	1
13	040795	GASKET	OIL SEAL FLANGE	1
14	044016	DOWEL	TUBULAR	2
15	040794	FLANGE	CRANKSHAFT REAR OIL SEAL INCL REF 14-16	1
16	040799	SEAL	OIL	1
17	041424	CAPSCREW	M 6 X 25 JIS-FLANGE	6
18	040779	BAFFLE	SUMP	1
19	040778	SUMP	OIL	1
20	035799	CAPSCREW	M 6 X 14 JIS W/LOCKWASHER	19
21	024905	CAP	SUMP DRAIN HOSE	1
22	024922	BRACKET	SUMP DRAIN HOSE	1
23	031084	HOSE	SUMP DRAIN	1
24	036821	BOLT	BANJO-SUMP DRAIN	1
25	037393	SEAL	LEAD WIRE	1
26	036493	WASHER	SUMP DRAIN BANJO	1
27	030291	WASHER	BANJO M14	1

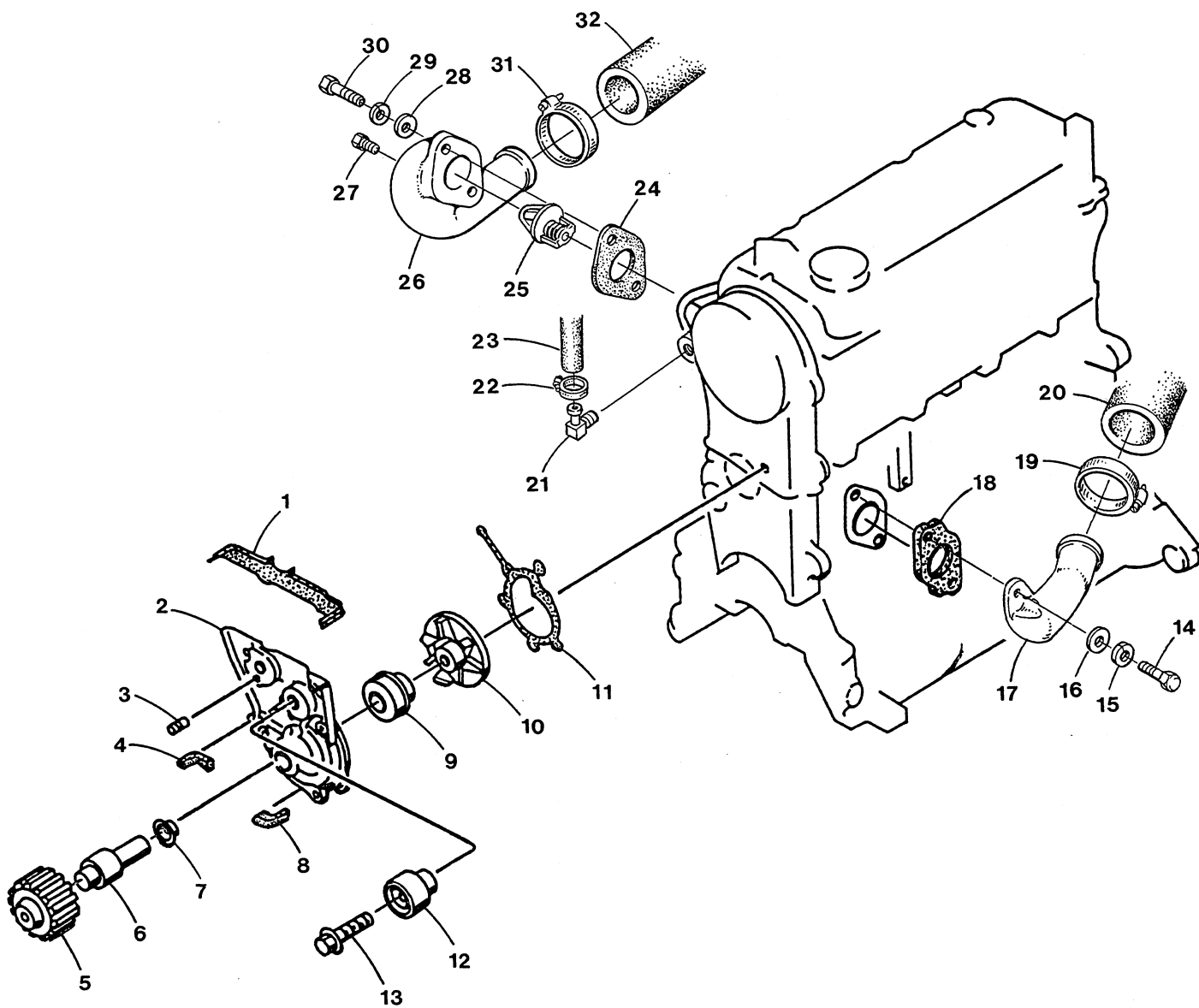
WESTERBEKE 20.0-25.0 BEG - LUBE OIL PUMP AND FILTER



WESTERBEKE 20.0-25.0 BEG - LUBE OIL PUMP AND FILTER

REF	PN	NAME	REMARKS	QUAN
1	040506	BOLT	BANJO	1
2	040507	WASHER		1
3	040508	GUIDE		1
4	036918	FILTER	LUBE OIL	1
5	034663	NIPPLE	OIL FILTER	1
6	040440	ADAPTER	OIL FILTER	1
7	011984	ELBOW	1/8NPT STREET 90 STEEL	1
8-1	019369	PLUG	1/8NPT HEX HEAD BRASS	1
8-2	024132	SENDER	OIL PRESSURE - OPTIONAL	1
9	032148	O-RING		1
10	040208	BRACKET	SEA PUMP	1
11	019262	LOCKWASHER	M10 DIN 127	
12	024952	CAPSCREW	M10 X 1.25 X 25 DIN 961	
13	041431	CAPSCREW	M10 X 1.25 X 60 JIS-FLANGE	1
14	040912	BRACKET	BELT GUARD	1
15	040844	O-RING		1
16	044210	PLUG		1
17	040775	DOWEL	TUBULAR	2
18	040845	SCREW	PUMP COVER	7
19	040843	COVER	OIL PUMP	1
20	040847	GEAR	OIL PUMP OUTER	1
21	040846	GEAR	OIL PUMP INNER	1
22	040840	PUMP	LUBE OIL INCLUDING REF 16 THRU 27	1
23	040790	SEAL	OIL	1
24	040841	PLUNGER	OIL RELIEF VALVE	1
25	040842	SPRING	OIL RELIEF VALVE	1
26	034123	PLUG	OIL RELIEF VALVE	1
27	045390	CIRCLIP		1
28	040849	GASKET	STRAINER TO PUMP	1
29	044029	CAPSCREW	M 6 X 20 JIS-FLANGE	2
30	044027	CAPSCREW	M 6 X 12 JIS-FLANGE	1
31	040848	STRAINER	OIL PICKUP	1
32	041431	CAPSCREW	M10 X 1.25 X 60 JIS-FLANGE	2
33	045391	CAPSCREW	M 8 X 20 JIS-FLANGE	3

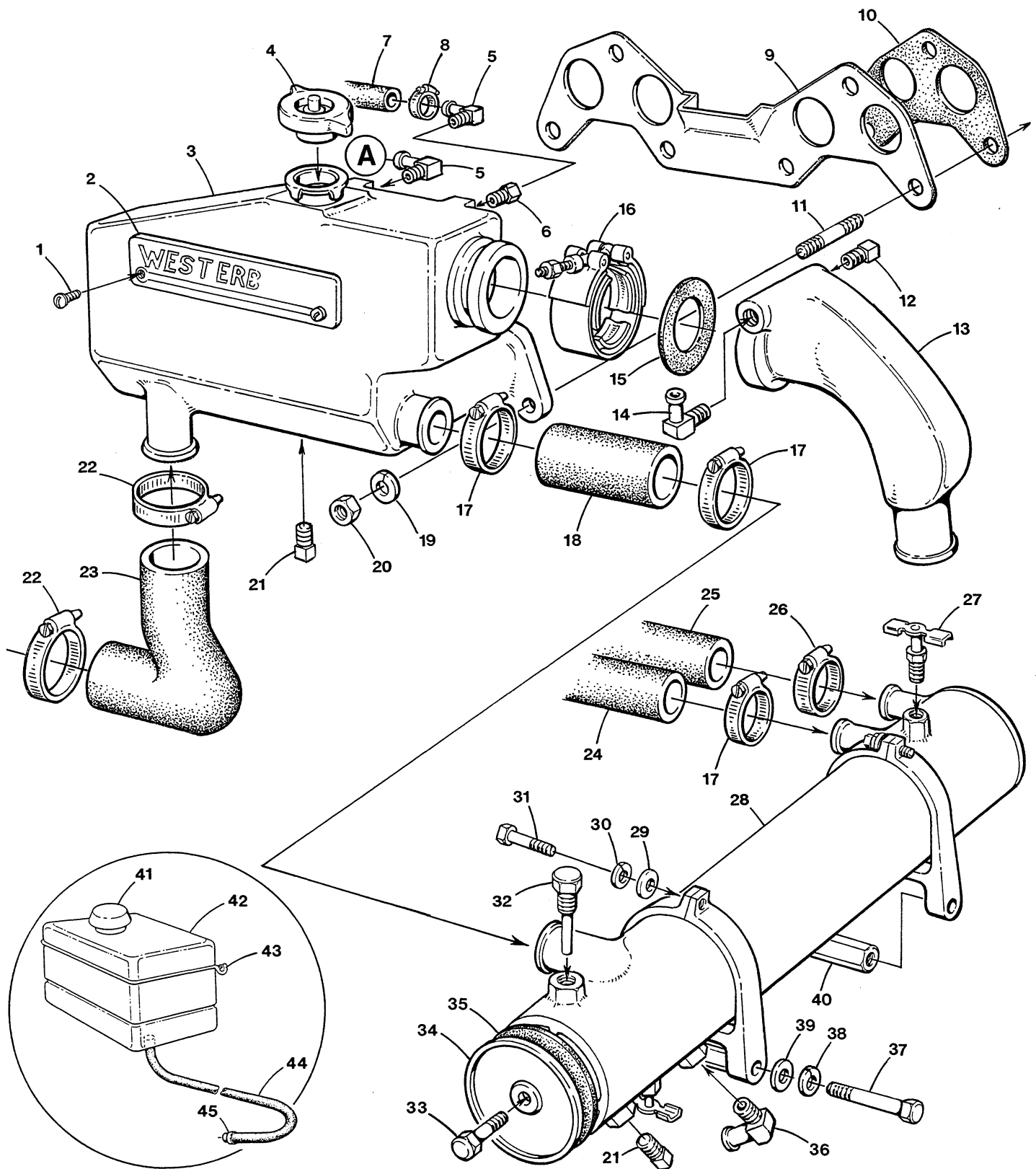
WESTERBEKE 20.0-25.0 BEG - FRESH WATER PUMP AND THERMOSTAT



WESTERBEKE 20.0-25.0 BEG - FRESH WATER PUMP AND THERMOSTAT

REF	PN	NAME	REMARKS	QUAN
1	040786	SEAL	WATER PUMP UPPER	1
2	040850	PUMP	FRESH WATER INCLUDING REF 1 THRU 11	1
3	045389	DOWEL	5MM X 12MM DIN 6325	1
4	040787	SEAL	WATER PUMP LOWER	1
5		PULLEY	SEE REF 2	1
6		SHAFT	SEE REF 2	1
7	040852	SLINGER		1
8	040788	SEAL		1
9	040364	SEAL	WATER PUMP	1
10		IMPELLER	SEE REF 2	1
11	040851	GASKET	WATER PUMP	1
12	040832	IDLER	TIMING BELT	1
13	044024	CAPSCREW	M10 X 1.25 X 40 JIS-FLANGE	1
14	017196	CAPSCREW	M 8 X 20 DIN 933	2
15	031786	LOCKWASHER	M 8 DIN 127	2
16	031787	WASHER	M 8 DIN 125	2
17	040414	CONNECTOR	FRESH WATER INLET	1
18	040435	GASKET	FRESH WATER INLET	1
19	021122	CLAMP	HOSE 24	1
20	040554	HOSE	MANIFOLD TO BLOCK	1
21	024907	ELBOW	1/8NPT TO 5/16 HOSE	1
22	024906	CLAMP	HOSE	1
23	035435	HOSE	BYPASS - INCHES REQUIRED	27
24	040434	GASKET	THERMOSTAT	1
25	035736	THERMOSTAT		1
26	040206	HOUSING	THERMOSTAT	1
27-1	019369	PLUG	1/8NPT HEX HEAD BRASS	1
27-2	035109	SENDER	WATER TEMPERATURE - OPTIONAL	1
28	031787	WASHER	M 8 DIN 125	2
29	031786	LOCKWASHER	M 8 DIN 127	2
30	298460	CAPSCREW	M 8 X 25 DIN 912	2
31	038193	CLAMP	HOSE 28	1
32	038848	HOSE	1-3/4" - INCHES REQUIRED	19
33	013736	CLAMP	SUPPORT BYPASS HOSE	1

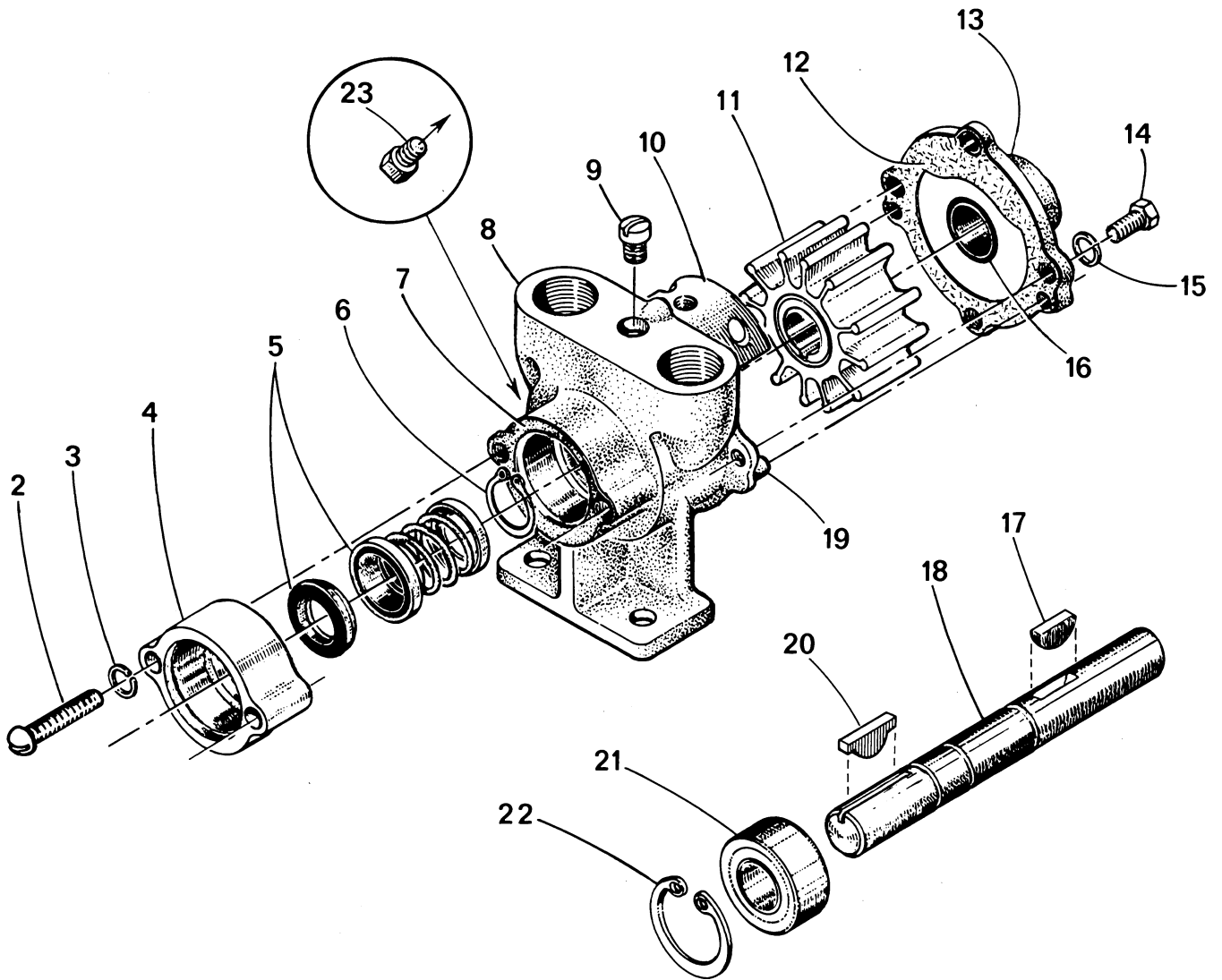
WESTERBEKE 20.0-25.0 BEG - EXHAUST MANIFOLD AND HEAT EXCHANGER



WESTERBEKE 20.0-25.0 BEG - EXHAUST MANIFOLD AND HEAT EXCHANGER

REF	PN	NAME	REMARKS	QUAN
1	031935	SCREW	8-32 X 1/4 SS OVAL HEAD	2
2	035411	NAMEPLATE		1
3	041790	MANIFOLD	EXHAUST INCLUDING CAP	1
4	024306	CAP	PRESSURE	1
5	024907	ELBOW	1/8NPT TO 5/16 HOSE	2
6	013339	ADAPTER	1/8NPT MALE TO FEMALE	1
7	035435	HOSE	BYPASS - INCHES REQUIRED	27
8	024906	CLAMP	HOSE	1
9	040835	SHIELD	HEAT INCLUDING GASKETS	1
10	040836	GASKET	MANIFOLD TO HEAD	2
11	015830	STUD	M 8 X 25 DIN 939	6
12	036849	PLUG	3/4NPT SQUARE HEAD BRASS	1
13-1	038760	ELBOW KIT	70 DEG WATER INJECTED 2" HOSE INCL 12-161	
13-2	039334	ELBOW KIT	70 DEG WATER INJECTED 3" HOSE INCL 12-161	
14	036614	ELBOW	3/4NPT TO 1" HOSE	1
15	038221	GASKET	EXHAUST ELBOW TO MANIFOLD	1
16	038153	CLAMP	EXHAUST ELBOW TO MANIFOLD	1
17	038193	CLAMP	HOSE 28	3
18	038848	HOSE	1-3/4" - INCHES REQUIRED	4
19	031786	LOCKWASHER	M 8 DIN 127	6
20	018242	NUT	M 8 DIN 934	6
21	035747	PLUG	1/2NPT SQUARE HEAD BRASS	2
22	021122	CLAMP	HOSE 24	2
23	040554	HOSE	MANIFOLD TO PUMP	1
24	038848	HOSE	1-3/4" - INCHES REQUIRED	19
25	011779	HOSE	1" - INCHES REQUIRED	25
26	011386	CLAMP	HOSE 12	1
27	011471	PETCOCK	1/8NPT	2
28-1	038300	EXCHANGER	HEAT	1
28-2	041301	EXCHANGER	HEAT CUPRO-NICKLE	1
29	031753	WASHER	FLAT 1/4	2
30	031752	LOCKWASHER	1/4	2
31	031506	CAPSCREW	1/4NC X 1-1/4	2
32	011885	ZINC		1
33	022852	CAPSCREW	3/8NC X 3/4 BRASS	2
34	022850	COVER	EXCHANGER END	2
35-1	022851	GASKET	EXCHANGER END COVER	2
35-2	019321	O-RING	EXCHANGER END COVER	2
36	036614	ELBOW	3/4NPT TO 1" HOSE	1
37	013619	CAPSCREW	M 8 X 30 DIN 933	2
38	031786	LOCKWASHER	M 8 DIN 127	2
39	031787	WASHER	M 8 DIN 125	2
40-1	039076	SPACER	EXCHANGER MOUNT	2
40-2	019262	LOCKWASHER	M10 DIN 127	2
41	024858	CAP	COOLANT RECOVERY TANK	1
42	024977	TANK KIT	COOLANT RECOVERY INCLUDING REF 41-45	1
43	024786	STRAP	COOLANT RECOVERY TANK MOUNTING	1
44	024637	TUBING	MANIFOLD TO TANK - INCHES REQUIRED	72
45	024906	CLAMP	HOSE	2

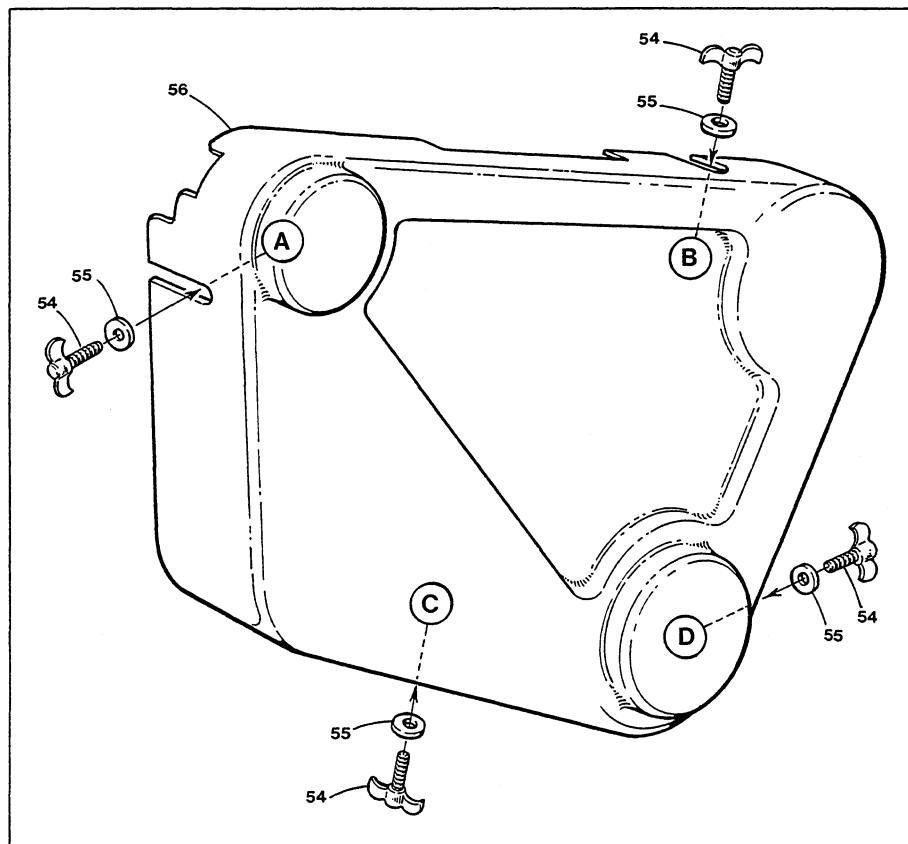
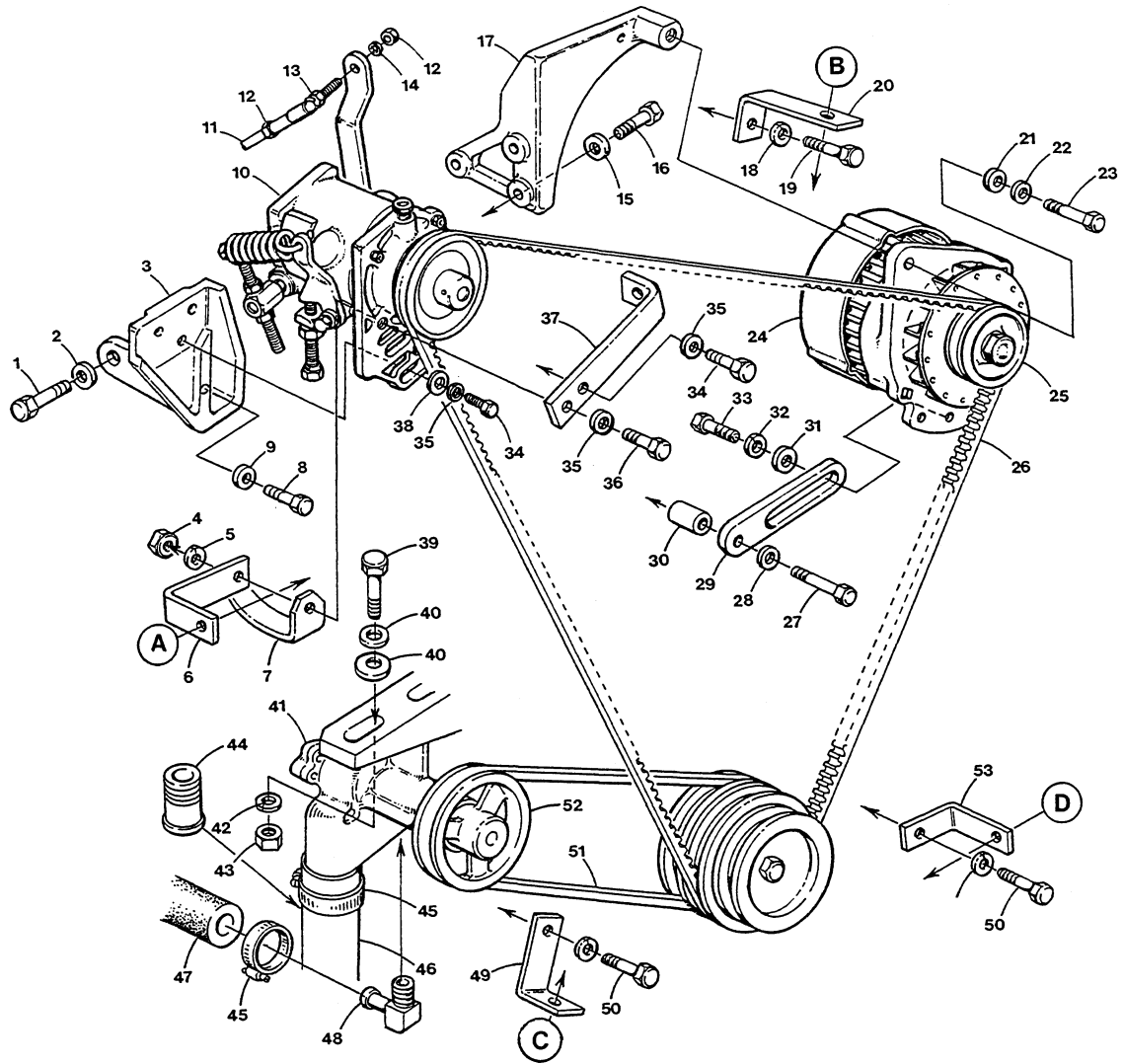
WESTERBEKE 20.0-25.0 BEG - SEA WATER PUMP



WESTERBEKE 20.0-25.0 BEG - SEA WATER PUMP

REF	PN	NAME	REMARKS	QUAN
1	038445	PUMP	SEA WATER	1
2	018147	SCREW	BEARING HOUSING TO PUMP	2
3	032183	LOCKWASHER		2
4	018180	HOUSING	BEARING	1
5	014774	SEAL	INCLUDING SEAT	1
6	018145	RING	RETAINING	3
7	018154	GASKET	BEARING HOUSING TO PUMP HOUSING	1
8	039867	HOUSING	PUMP BODY	1
9	018151	SCREW	PUMP HOUSING TO CAM	1
10	018152	CAM		1
11	011907	IMPELLER	INCLUDING GASKET	1
12	011419	GASKET	IMPELLER COVER	1
13	018153	COVER	IMPELLER INCLUDING BUSHING	1
14	018143	CAPSCREW		4
15	032183	LOCKWASHER		4
16	018149	BUSHING	SHAFT END	1
17	018148	KEY	IMPELLER TO SHAFT	1
18	018164	SHAFT		1
19	018142	DOWEL	COVER TO PUMP HOUSING	2
20	022392	KEY	SEA WATER PUMP SHAFT TO PULLEY	1
21	018144	BEARING		1
22	018146	RING	RETAINING	1
23	019369	PLUG	1/8NPT HEX HEAD BRASS	1
24	033329	KIT	PUMP REPAIR INCL 6,7,9,10,11,12,16,21,221	

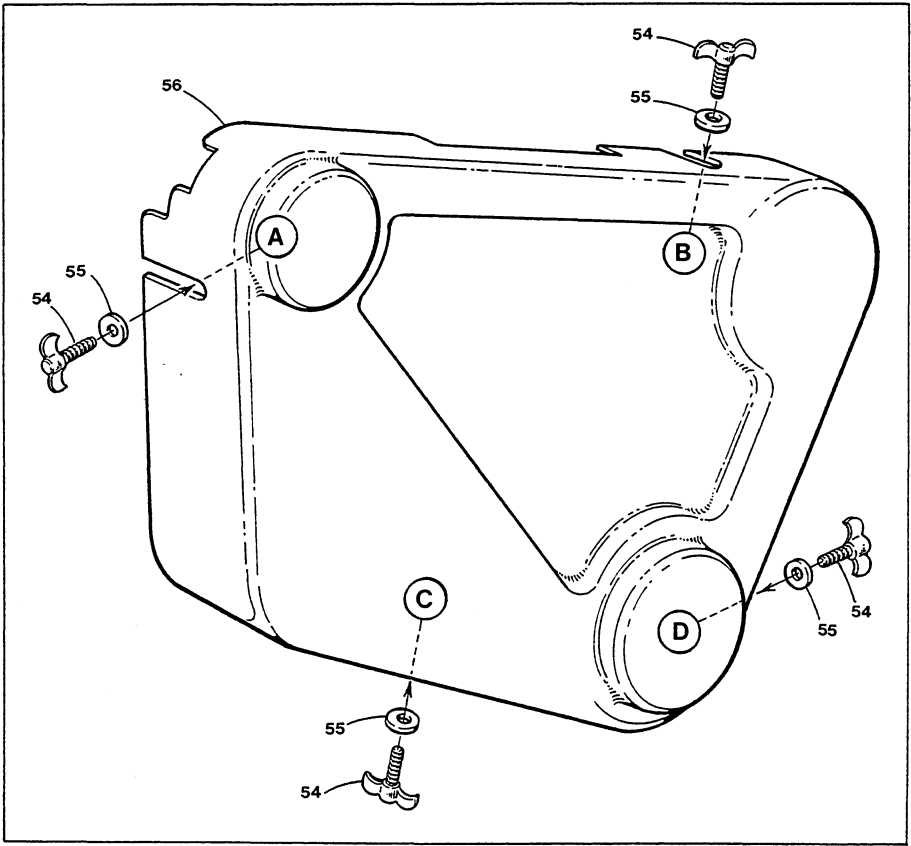
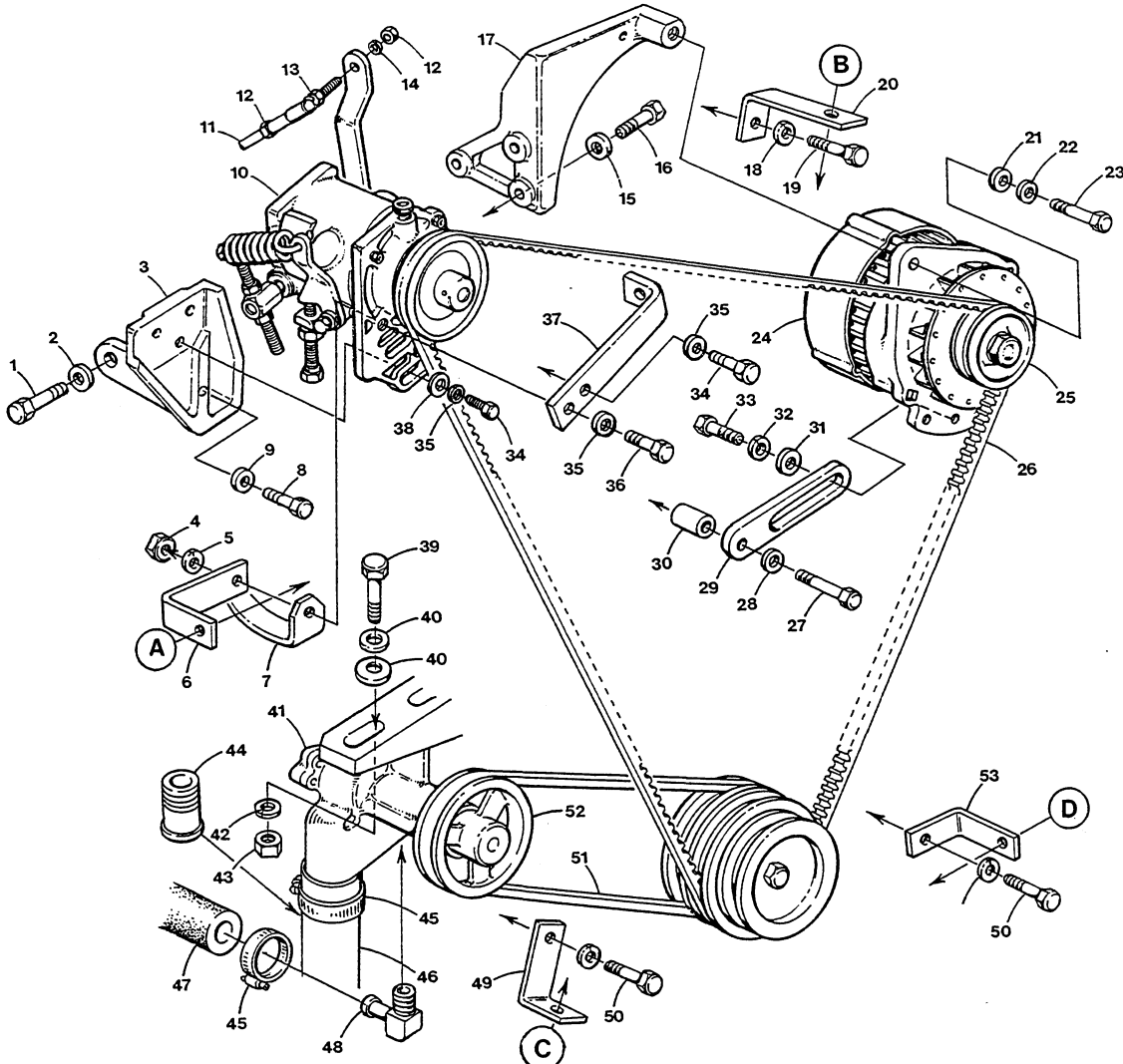
WESTERBEKE 20.0-25.0 BEG - GOVERNOR - BELTS - BELT GUARD - ALTERNATOR



WESTERBEKE 20.0-25.0 BEG - GOVERNOR - BELTS - BELT GUARD - ALTERNATOR

REF	PN	NAME	REMARKS	QUAN
1	024953	CAPSCREW	M10 X 1.25 X 35 DIN 961	1
2	019262	LOCKWASHER	M10 DIN 127	1
3	040160	BRACKET	GOVERNOR	1
4	015887	NUT	M10 DIN 934	1
5	019262	LOCKWASHER	M10 DIN 127	1
6	040914	BRACKET	BELT GUARD	1
7	041020	BRACKET	GOVERNOR SUPPORT	1
8	033347	CAPSCREW	M12 X 1.5 X 25 DIN 961	1
9	031792	LOCKWASHER	M12 DIN 127	1
10	033560	GOVERNOR		1
11	040551	ROD	GOVERNOR TO CARBURETOR	1
12	031847	NUT	10-32 HEX SS	2
13	019364	BALLJOINT		1
14	031849	LOCKWASHER	10 SS	2
15	019262	LOCKWASHER	M10 DIN 127	3
16	024952	CAPSCREW	M10 X 1.25 X 25 DIN 961	3
17	040408	BRACKET	ALTERNATOR	1
18	031786	LOCKWASHER	M 8 DIN 127	1
19	017196	CAPSCREW	M 8 X 20 DIN 933	1
20	040915	BRACKET	BELT GUARD	1
21	031777	WASHER	FLAT 1/2	1
22	031776	LOCKWASHER	1/2	1
23	031709	CAPSCREW	1/2NC X 2	1
24	039790	ALTERNATOR	12 VDC 50 AMP	1
25	045019	PULLEY	ALTERNATOR	1
26	040555	BELT		1
27	018812	CAPSCREW	M 8 X 70 DIN 931	1
28	031786	LOCKWASHER	M 8 DIN 127	1
29	033064	STRAP	ADJUSTING	1
30	040553	SPACER		1
31	033381	WASHER		1
32	031758	LOCKWASHER	5/16	1
33	031555	CAPSCREW	5/16NC X 1	1
34	034589	CAPSCREW	M10 X 30 DIN 933	2
35	019262	LOCKWASHER	M10 DIN 127	3
36	040917	CAPSCREW	M10 X 45 DIN 933	1
37	040618	BRACKET	GOVERNOR SUPPORT	1
38	031789	WASHER	M10 DIN 125	1

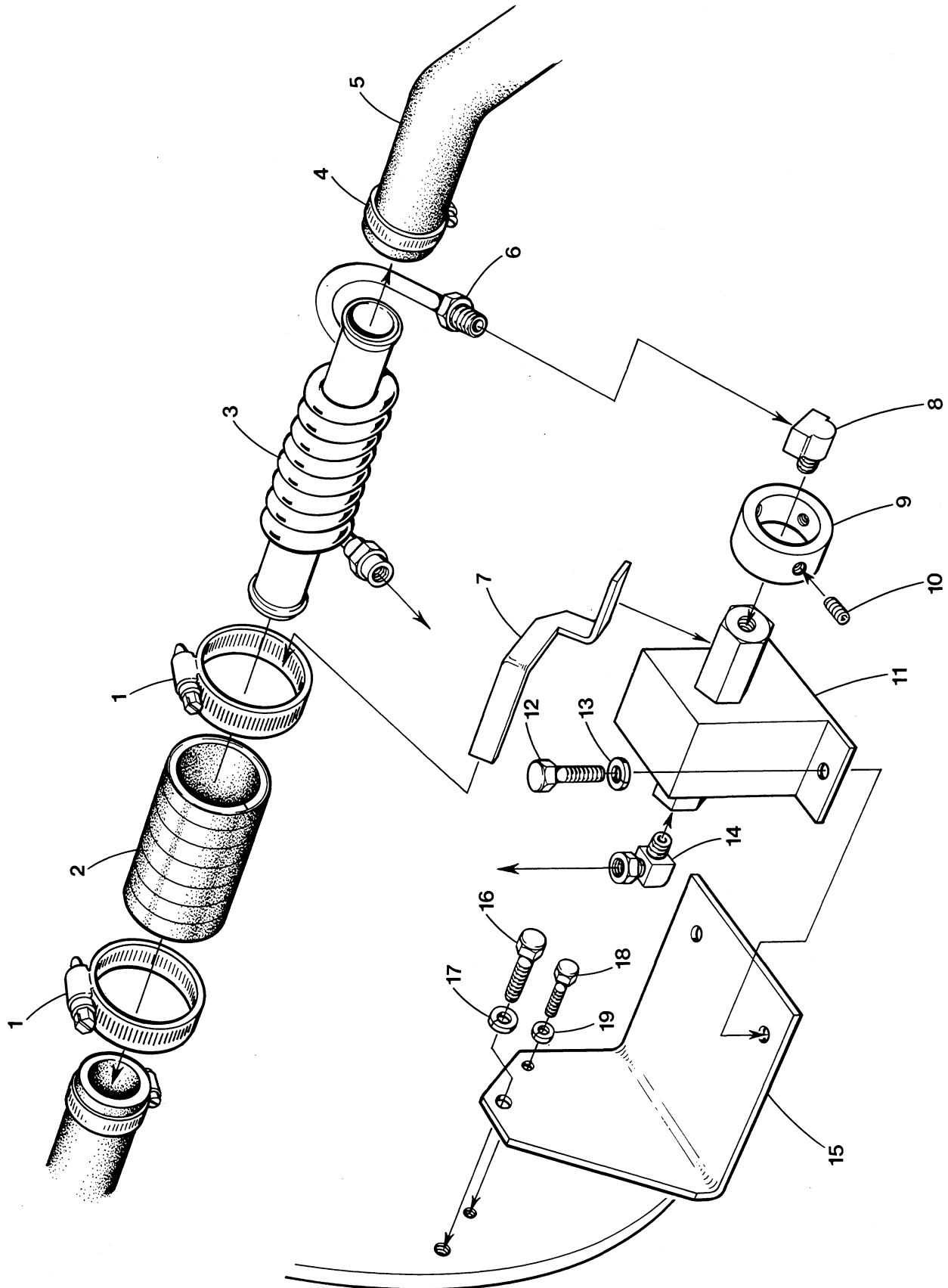
WESTERBEKE 20.0-25.0 BEG - GOVERNOR - BELTS - BELT GUARD - ALTERNATOR



WESTERBEKE 20.0-25.0 BEG - GOVERNOR - BELTS - BELT GUARD - ALTERNATOR

REF	PN	NAME	REMARKS	QUAN
39	031631	CAPSCREW	3/8NF X 1-1/4	2
40	031765	WASHER	FLAT 3/8	4
41	038445	PUMP	SEA WATER	1
42	031764	LOCKWASHER	3/8	2
43	031766	NUT	3/8NF HEX	2
44	036622	NIPPLE	3/4NPT TO 1" HOSE	1
45	011386	CLAMP	HOSE 12	2
46	040548	HOSE	GASDENSER TO SEA WATER PUMP	1
47	011779	HOSE	1" WIRE REINFORCED - INCHES REQUIRED	25
48	036614	ELBOW	3/4NPT TO 1" HOSE	1
49	040912	BRACKET	BELT GUARD	1
50	041431	CAPSCREW	M10 X 1.25 X 60 JIS-FLANGE	2
51	035440	BELT		1
52	011709	PULLEY		1
53	040913	BRACKET	BELT GUARD	1
54	033228	WINGSCREW	10-32 X 1/2	4
55	033372	WASHER		4
56	040552	GUARD	BELT	1

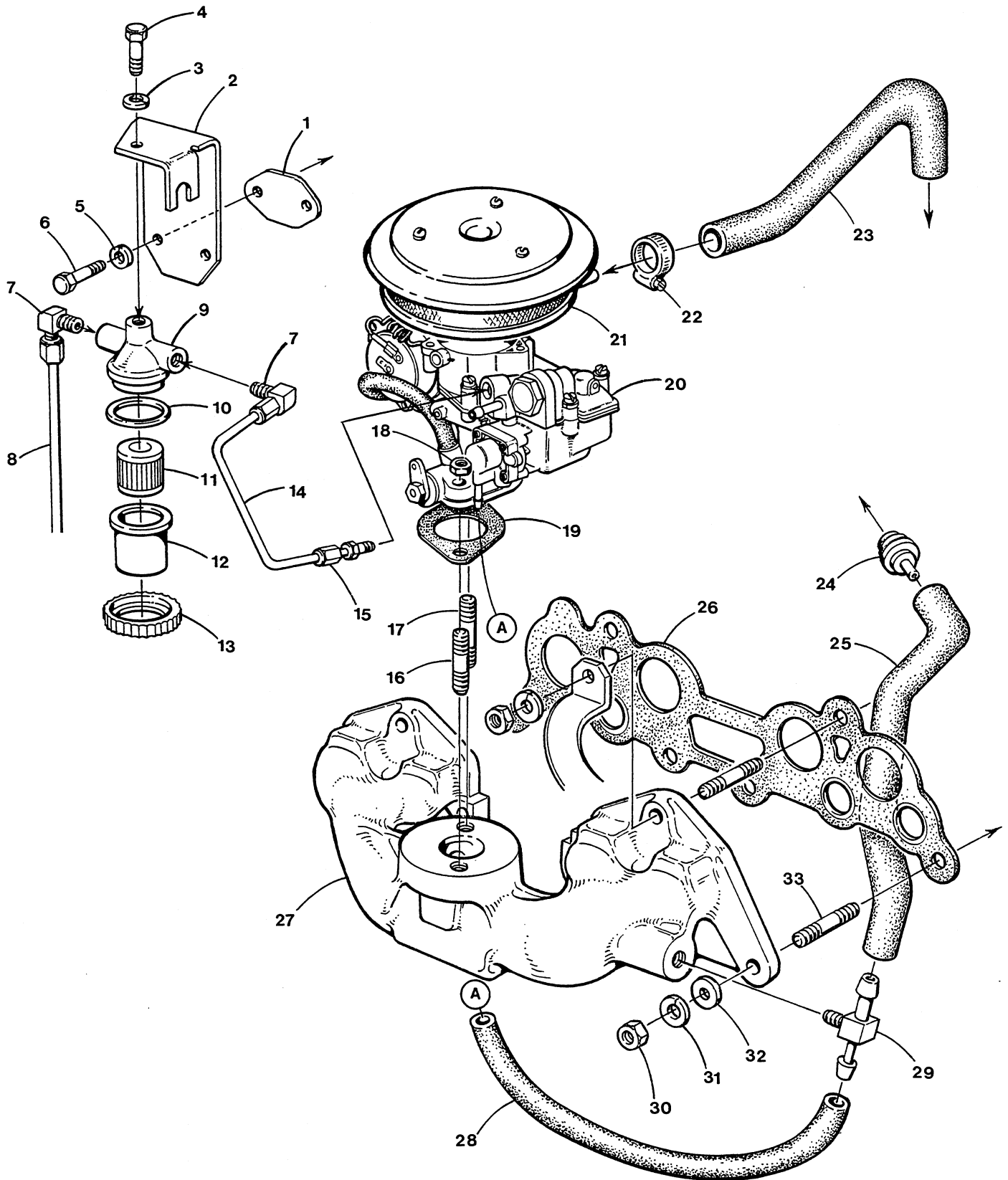
WESTERBEKE 20.0-25.0 BEG - GASENSER AND LIFT PUMP



WESTERBEKE 20.0-25.0 BEG - GASDENSER AND LIFT PUMP

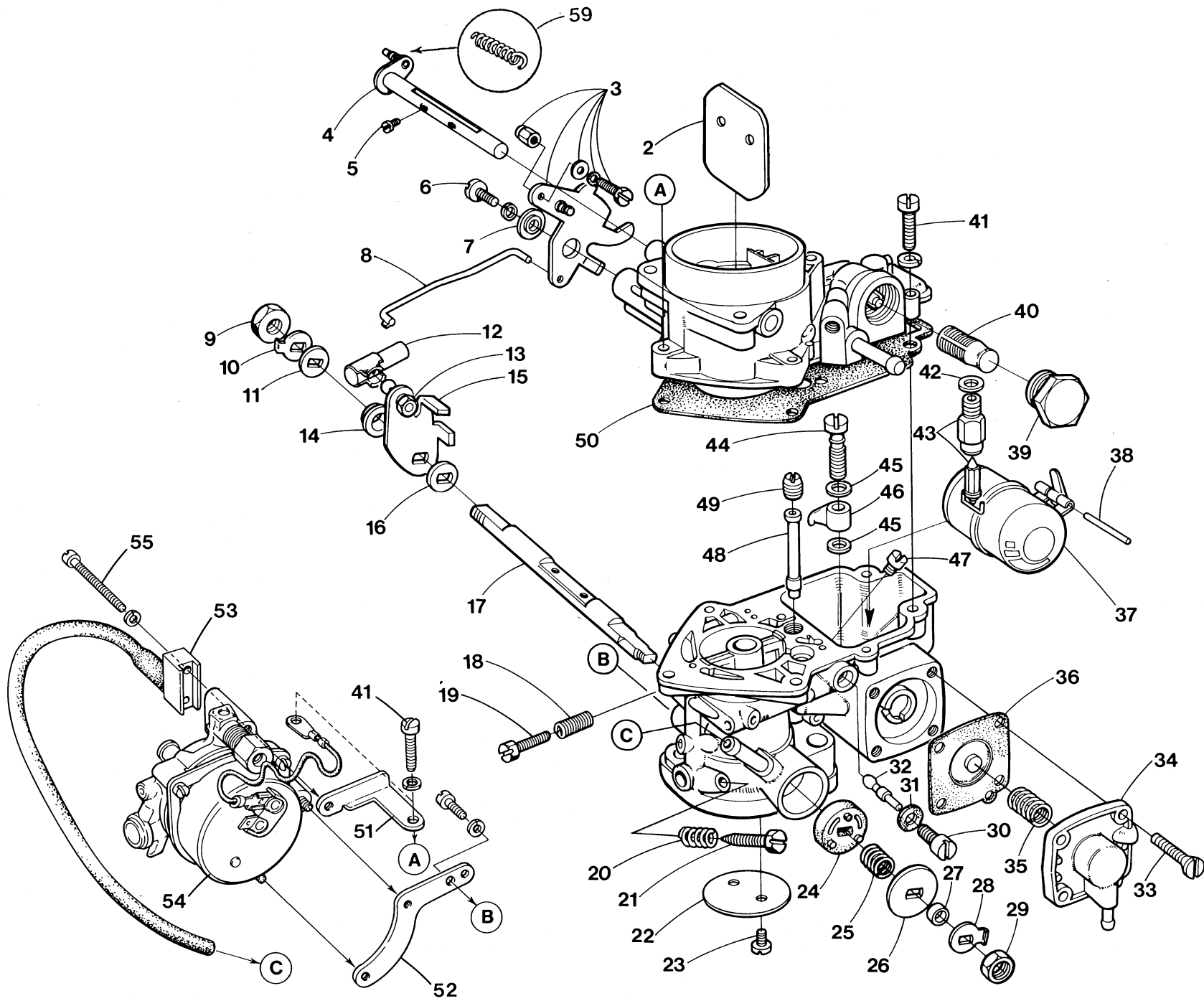
REF	PN	NAME	REMARKS	QUAN
1	038193	CLAMP	HOSE 28	2
2		SLEEVE	HOSE & ALUMINUM FOIL TAPE-SEE REF 3	1
3	038052	GASDENSER	INCLUDING REF 1-2-3-6	1
4	011386	CLAMP	HOSE 12	2
5	040548	HOSE	GASDENSER TO SEA WATER PUMP	1
6		NUT	INVERTED FLARE-SEE REF 3	1
7	038161	BRACKET	GASDENSER TO LIFT PUMP	1
8	022513	ELBOW	1/8NPT TO INVERTED FLARE	1
9	038158	COLLAR	GASDENSER BRACKET TO LIFT PUMP	1
10	038173	SETSCREW		3
11	039273	PUMP	FUEL LIFT 12 VDC	1
12	031501	CAPSCREW	1/4NC X 1/2	2
13	031752	LOCKWASHER	1/4	2
14-1	013329	ELBOW	COMPRESSION INCLUDING NUT & FERRULE	1
14-2	016676	NUT	1/4 COMPRESSION	1
14-3	011597	FERRULE	1/4 COMPRESSION	1
15	036136	BRACKET	LIFT PUMP	1
16	034470	CAPSCREW	M10 X 45 DIN 931	1
17	019262	LOCKWASHER	M10 DIN 127	1
18	017012	CAPSCREW	M 6 X 16 DIN 933	1
19	031783	LOCKWASHER	M 6 DIN 127	1

WESTERBEKE 20.0-25.0 BEG - INTAKE MANIFOLD AND FUEL SYSTEM



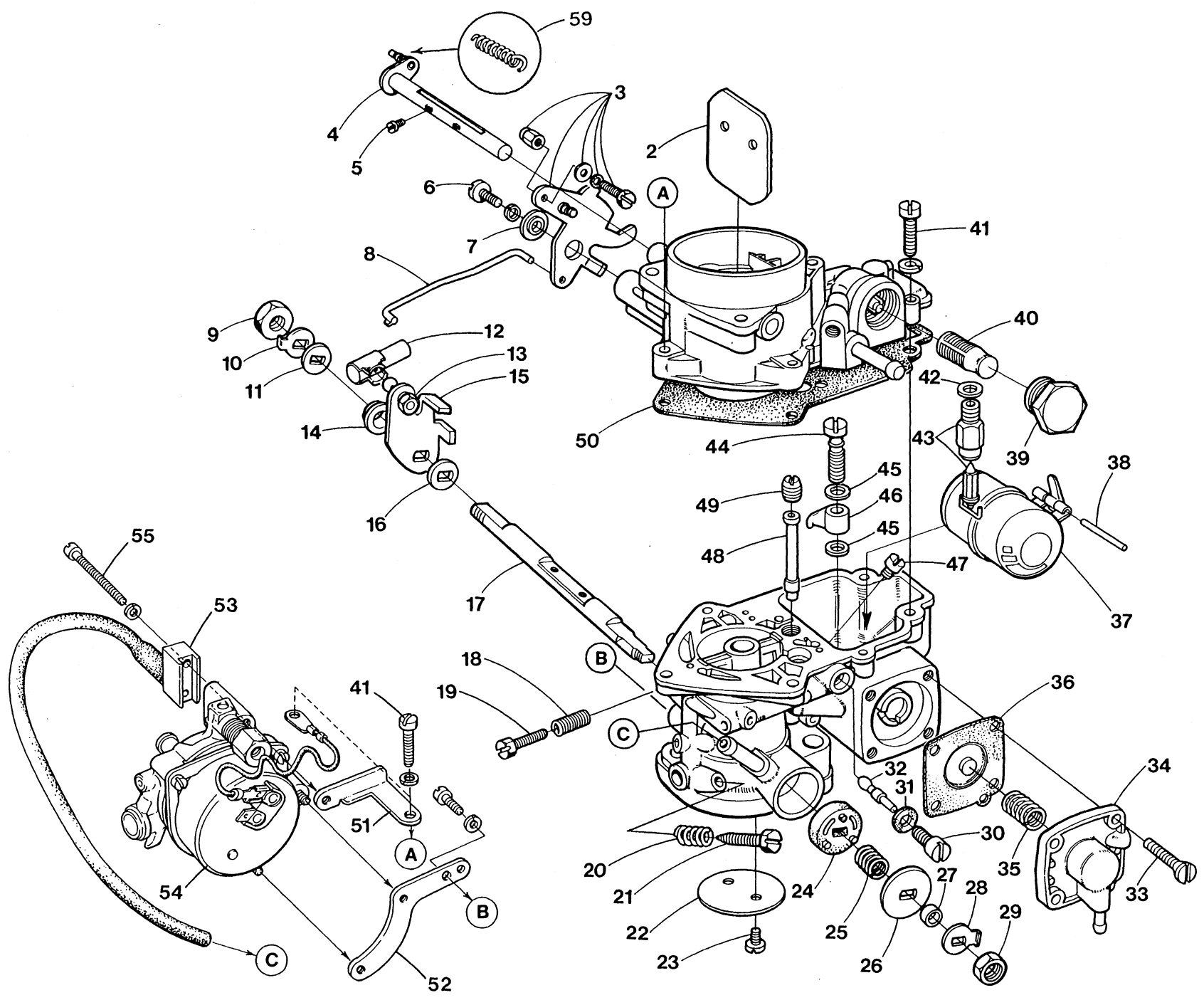
WESTERBEKE 20.0-25.0 BEG - INTAKE MANIFOLD AND FUEL SYSTEM

REF	PN	NAME	REMARKS	QUAN
1	034234	GASKET	BRACKET TO HEAD	1
2	040556	BRACKET	FUEL FILTER	1
3	019262	LOCKWASHER	M10 DIN 127	1
4	024951	CAPSCREW	M10 X 1.25 X 20 DIN 961	1
5	031786	LOCKWASHER	M 8 DIN 127	2
6	017196	CAPSCREW	M 8 X 20 DIN 933	2
7-1	013329	ELBOW	COMPRESSION INCLUDING NUT & FERRULE	2
7-2	016676	NUT	1/4 COMPRESSION	2
7-3	011597	FERRULE	1/4 COMPRESSION	2
8	040550	LINE	LIFT PUMP TO FILTER	1
9	042817	FILTER	FUEL INCLUDING REF 9 THRU 13	1
10	040879	O-RING		1
11	040838	ELEMENT	FUEL FILTER	1
12	040878	CUP	FUEL FILTER	1
13	042410	NUT	FUEL FILTER	1
14	040558	LINE	FILTER TO CARBURETOR	1
15-1	019449	CONNECTOR	COMPRESSION INCLUDING NUT AND FERRULE	1
15-2	016676	NUT	1/4 COMPRESSION	1
15-3	011597	FERRULE	1/4 COMPRESSION	1
16	038510	STUD		1
17	011263	STUD		1
18-1	031760	NUT	5/16NF	2
18-2	031835	LOCKWASHER	M 8 DIN 6797J	2
19	033606	GASKET	CARBURETOR TO MANIFOLD	1
20	039454	CARBURETOR	ASSEMBLY INCLUDING CHOKE	1
21	034894	ARRESTOR	FLAME	1
22	017298	CLAMP	HOSE 6	1
23	035894	HOSE	BREATHER	1
24	033808	VALVE	PCV	1
25	034077	HOSE	PCV VALVE	1
26	040833	GASKET	INTAKE MANIFOLD	1
27	040142	MANIFOLD	INTAKE	1
28	033975	HOSE	INCHES REQUIRED	9
29	033753	TEE	INTAKE MANIFOLD	1
30	018242	NUT	M 8 DIN 934	6
31	031786	LOCKWASHER	M 8 DIN 127	6
32	031787	WASHER	M 8 DIN 125	6
33	015830	STUD	M 8 X 25 DIN 939	6



WESTERBEKE 20.0-25.0 BEG - GASOLINE CARBURETOR

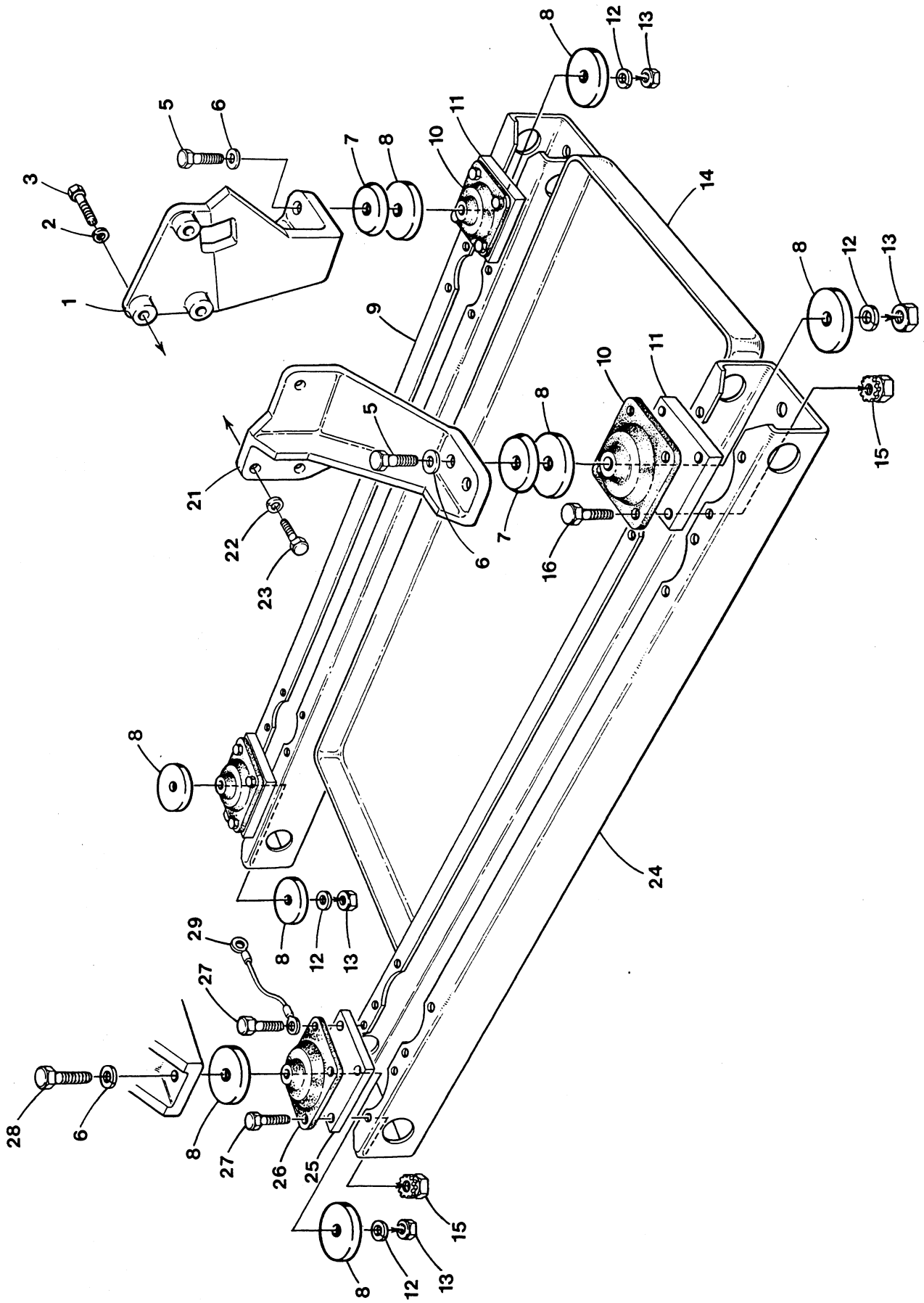
REF	PN	NAME	REMARKS	QUAN
1-1	039454	CARBURETOR	ASSEMBLY INCLUDING CHOKE	1
1-2	036450	KIT	CARBURETOR REPAIR	1
2	036296	PLATE	CHOKE	1
3	036279	LEVER	CHOKE CONTROL ASSEMBLY	1
4	036264	SHAFT	CHOKE PLATE	1
5	036300	SCREW	CHOKE PLATE TO SHAFT	2
6	036304	SCREW		1
7	036267	BUSHING		1
8	036293	ROD	ELECTRIC CHOKE TO CONTROL LEVER	1
9	036269	NUT		1
10	036286	TABWASHER		1
11	036289	SPACER		1
12	019364	BALLJOINT		1
13-1	031847	NUT	10-32 HEX SS	1
13-2	031849	LOCKWASHER	10 SS	1
14	036266	BUSHING		1
15	033700	LEVER		1
16	036291	SPACER		1
17	036263	SHAFT	THROTTLE PLATE	1
18	036280	SPRING		1
19	036301	SCREW	IDLE SET	1
20	036280	SPRING		1
21	036305	SCREW	IDLE MIXTURE	1
22	036295	PLATE	THROTTLE	1
23	036299	SCREW	THROTTLE PLATE	2
24	036283	VALVE	ROTARY	1
25	036281	SPRING		1
26	036290	WASHER	SPACER	1
27	036265	SPACER		1
28	036287	TABWASHER		1
29	036268	NUT		1
30	036285	RETAINER	IDLE JET	1
31	036277	GASKET		1
32	036272	JET	IDLE	1
33	033981	SCREW	PUMP COVER	4
34	033979	COVER	PUMP	1
35	033980	SPRING	PUMP	1
36	036315	DIAPHRAGM		1
37	036271	FLOAT		1
38	036284	PIN		1
39	036292	PLUG	FILTER INSPECTION	1
40	036270	ELEMENT	FILTER	1



WESTERBEKE 20.0-25.0 BEG - GASOLINE CARBURETOR

REF	PN	NAME	REMARKS	QUAN
41	036302	SCREW	COVER	5
42	036276	GASKET		1
43	036297	VALVE	NEEDLE INCLUDING SEAT	1
44	036298	VALVE	ACCELERATOR PUMP	1
45	036275	GASKET		2
46	036273	JET	ACCELERATOR PUMP	1
47	036158	JET	MAIN	1
48	036294	TUBE	EMULSION	1
49	036274	JET	MAIN AIR BLEED	1
50	036278	GASKET		1
51	033612	BRACKET	CHOKE MOUNTING UPPER	1
52	033613	BRACKET	CHOKE MOUNTING LOWER	1
53	033616	CONNECTOR	CHOKE HOSE	1
54	033716	CHOKE	ELECTRIC 12 VDC	1
55	038267	SCREW	8-32 X 1-1/2 PAN PHILLIPS HEAD	1
59	036282	SPRING		1

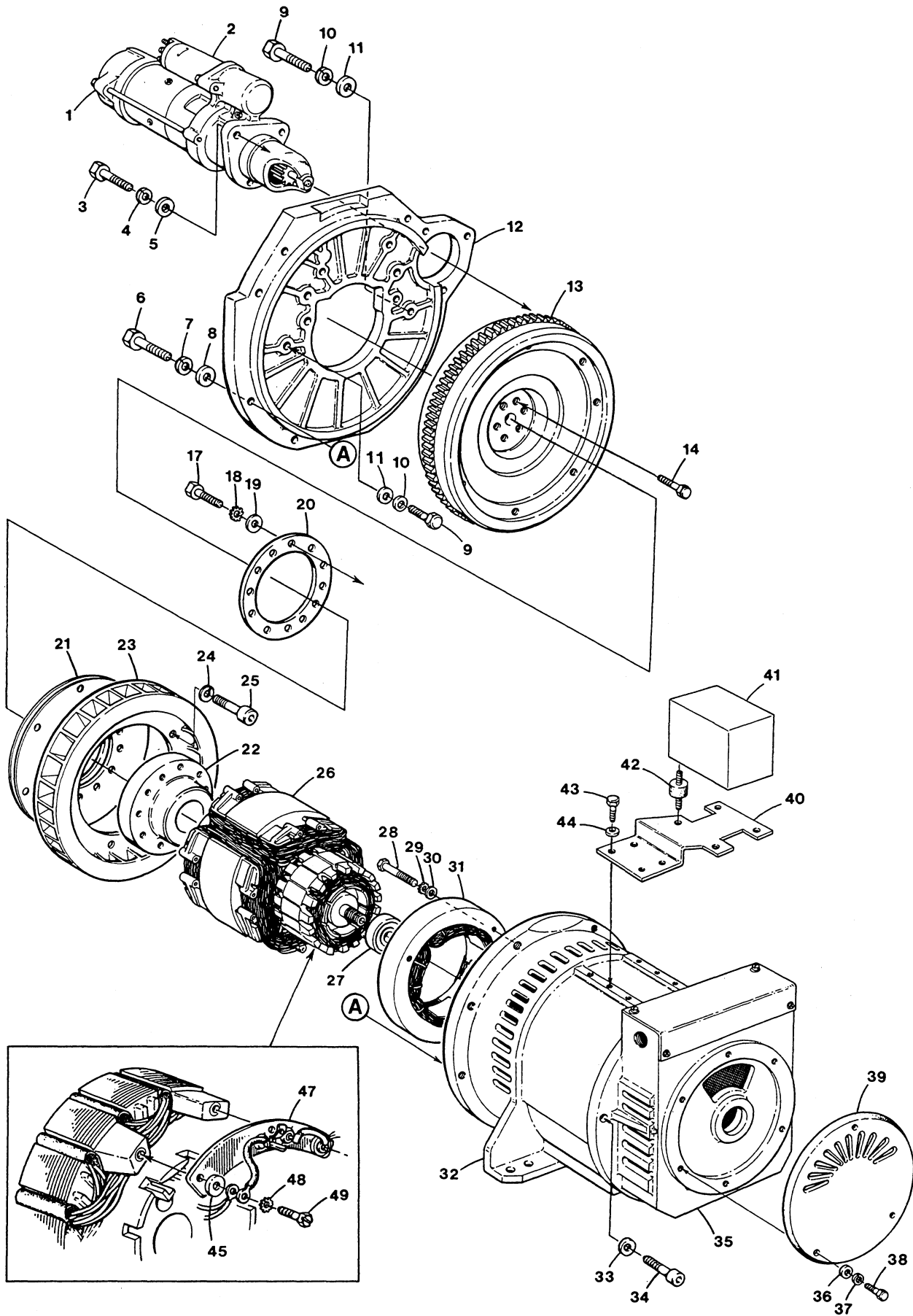
WESTERBEKE 20.0-25.0 BEG - MOUNTING SYSTEM



WESTERBEKE 20.0-25.0 BEG - MOUNTING SYSTEM

REF	PN	NAME	REMARKS	QUAN
1	040416	MOUNT	FRONT LEFT	1
2	019262	LOCKWASHER	M10 DIN 127	3
3	024954	CAPSCREW	M10 X 1.25 X 40 DIN 961	3
5	031713	CAPSCREW	1/2NC X 3	2
6	031777	WASHER	FLAT 1/2	4
7	033530	SHIELD	ISOLATOR	2
8	024674	WASHER	ISOLATOR SNUBBING	8
9	036120	RAIL	LEFT	1
10	015238	ISOLATOR	FRONT	2
11	033574	SPACER	ISOLATOR TO RAIL	2
12	031776	LOCKWASHER	1/2	4
13	031774	NUT	1/2NC	4
14	038698	DRIPTRAY		1
15	200127	NUT	5/16NC KEPS	16
16	031555	CAPSCREW	5/16NC X 1	8
21	040418	MOUNT	FRONT RIGHT	1
22	019262	LOCKWASHER	M10 DIN 127	3
23	024956	CAPSCREW	M10 X 1.25 X 50 DIN 960	3
24	036120	RAIL	RIGHT	1
25	033574	SPACER	ISOLATOR TO RAIL	2
26	301136	ISOLATOR	REAR	2
27	031555	CAPSCREW	5/16NC X 1	8
28	031715	CAPSCREW	1/2NC X 3-1/2	2
29	034593	STRAP	GROUND RAIL TO GENSET	1

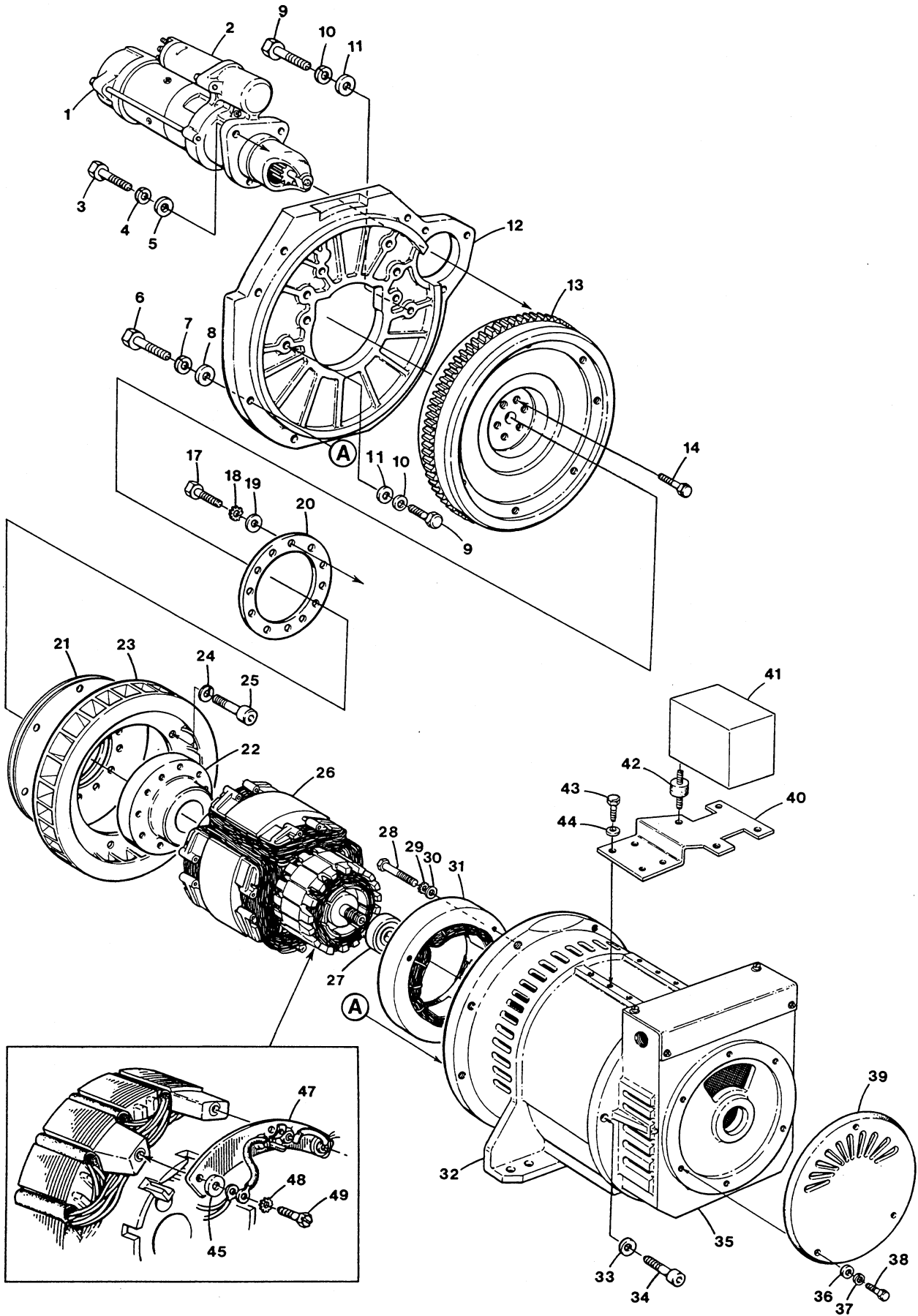
WESTERBEKE 20.0-25.0 BEG - BACK END - GENERATOR



WESTERBEKE 20.0-25.0 BEG - BACK END - GENERATOR

REF	PN	NAME	REMARKS	QUAN
1	038384	MOTOR	STARTER 12 VDC	1
2	039523	SOLENOID	STARTER MOTOR 38384 12 VDC	1
3	013631	CAPSCREW	M10 X 55 DIN 933	3
4	019262	LOCKWASHER	M10 DIN 127	3
5	031789	WASHER	M10 DIN 125	3
6	034470	CAPSCREW	M10 X 45 DIN 931	7
7	019262	LOCKWASHER	M10 DIN 127	7
8	031789	WASHER	M10 DIN 125	7
9	040603	CAPSCREW	M14 X 1.5 X 45 DIN 961	4
10	031797	LOCKWASHER	M14 DIN 127	4
11	031798	WASHER	M14 DIN 125	4
12	040428	BACKPLATE		1
13-1	040020	FLYWHEEL	INCLUDING RING GEAR	1
13-2	038392	GEAR	RING	1
14	040873	BOLT	FLYWHEEL	6
15	024953	CAPSCREW	M10 X 1.25 X 35 DIN 961	6
16	019262	LOCKWASHER	M10 DIN 127	6
17	013629	CAPSCREW	M10 X 25 DIN 933	10
18	019262	LOCKWASHER	M10 DIN 127	10
19	031789	WASHER	M10 DIN 125	10
20	039869	PLATE	DRIVE DISC TO HUB	1
21	039785	DISC	DRIVE	4
22	039668	HUB	DRIVE	1
23	039637	FAN		1
24	019262	LOCKWASHER	M10 DIN 127	8
25	039318	CAPSCREW	M10 X 25 DIN 912	8
26	039784	ARMATURE		1
27	039638	BEARING	BALL	1
28	030146	CAPSCREW	M 6 X 55 DIN 931	3
29	031783	LOCKWASHER	M 6 DIN 127	3
30	031784	WASHER	M 6 DIN 125	3
31	039639	STATOR	EXCITER	1
32-1	039630	GENERATOR	1 PHASE 20 KW	1
32-2	039665	STATOR	1 PHASE 20KW	1
32-3	039642	STATOR	INCLUDING HOUSING 1 PHASE 20KW	1
32-4	039782	GENERATOR	1 PHASE 25KW	1
32-5	039783	STATOR	1 PHASE 25KW	1
32-6	040564	STATOR	INCLUDING HOUSING 1 PHASE 25KW	1
32-7	039868	GENERATOR	3 PHASE	1
32-8	039870	STATOR	3 PHASE	1
32-9	039873	STATOR	INCLUDING HOUSING 3 PHASE	1
33	031915	LOCKWASHER	M10 DIN 6797A	3
34	039871	CAPSCREW	M10 X 35 DIN 912	3
35	039669	HOUSING	GENERATOR END	1

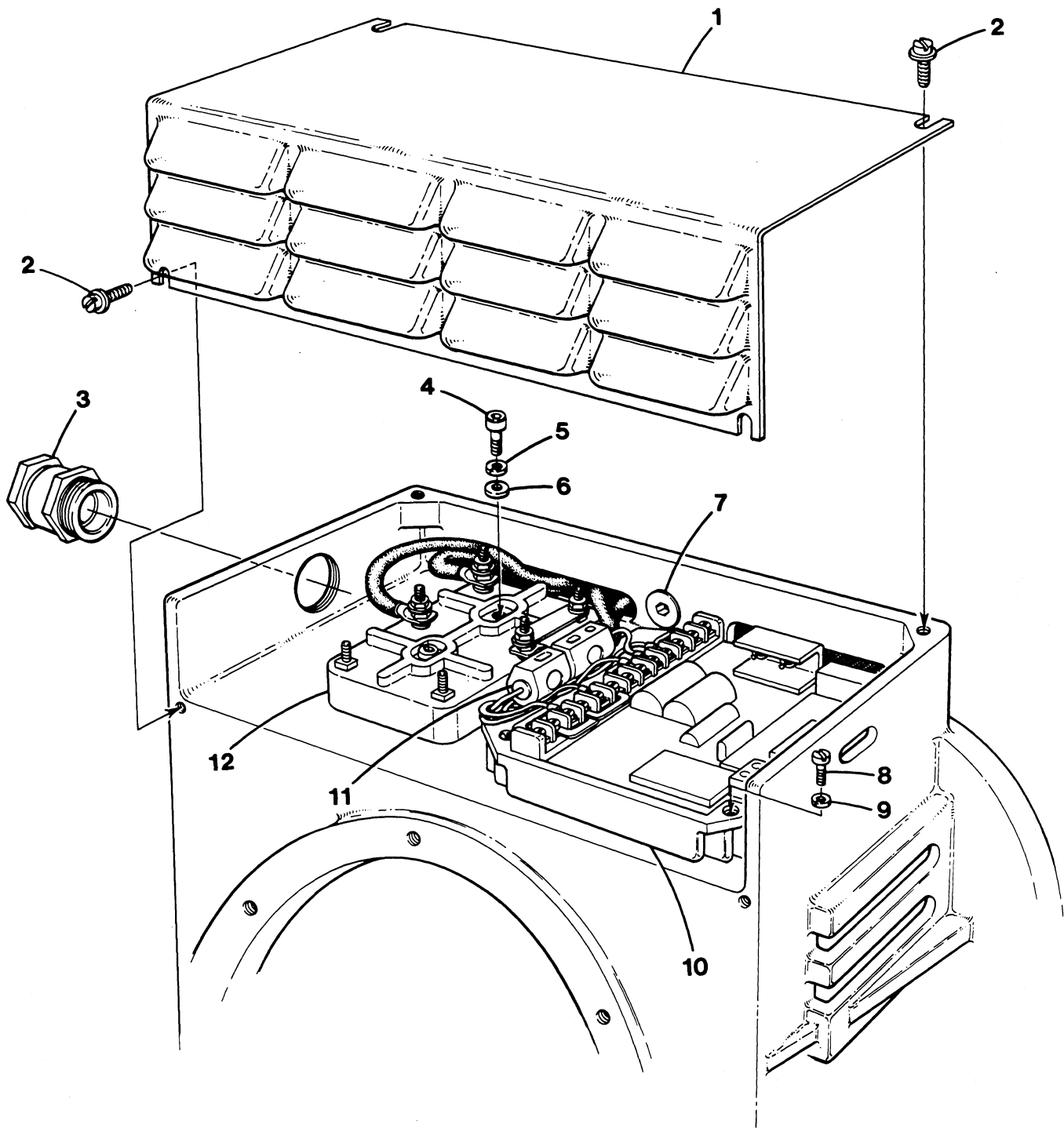
WESTERBEKE 20.0-25.0 BEG - BACK END - GENERATOR



WESTERBEKE 20.0-25.0 BEG - BACK END - GENERATOR

REF	PN	NAME	REMARKS	QUAN
36	031789	WASHER	M10 DIN 125	3
37	019262	LOCKWASHER	M10 DIN 127	3
38	013629	CAPSCREW	M10 X 25 DIN 933	3
39	039074	COVER	PTO	1
40	036871	BRACKET	PANEL MOUNT INCLUDED WITH PANEL BOX ASSY1	1
41		PANEL	REFER TO PANEL PAGE	1
42-1	036652	ISOLATOR	PANEL MOUNT TO FEB 95	4
42-2	041090	ISOLATOR	PANEL MOUNT FROM FEB 95	4
43	031810	CAPSCREW	M 6 X 14 DIN 933	4
44	031783	LOCKWASHER	M 6 DIN 127	4
45	042089	WASHER	INSULATING	9
47	039666	DIODE	ASSEMBLY	3
48	031914	LOCKWASHER	M 5 DIN 6797A	9
49	031931	SCREW	M 5 X 16 DIN 84A	9

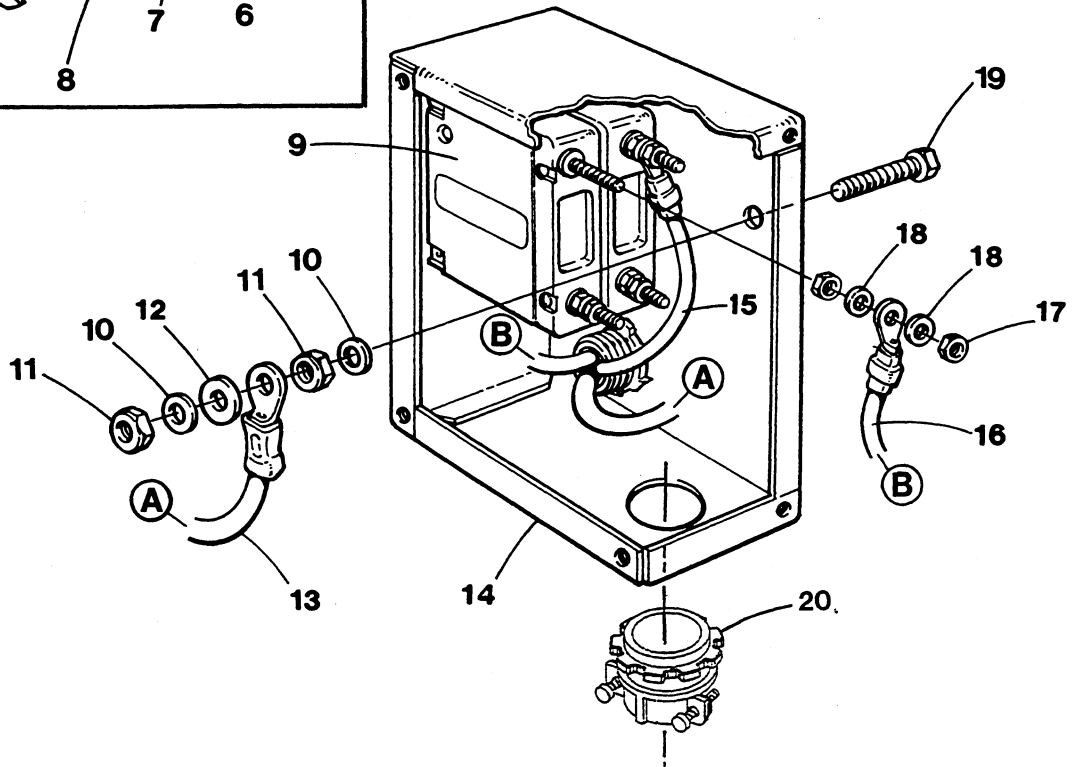
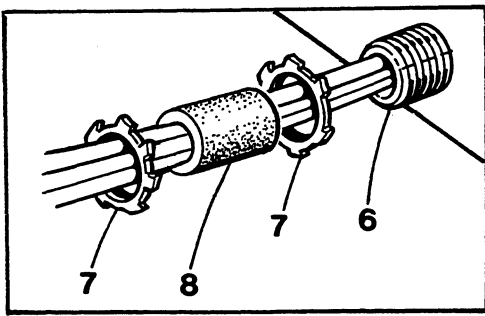
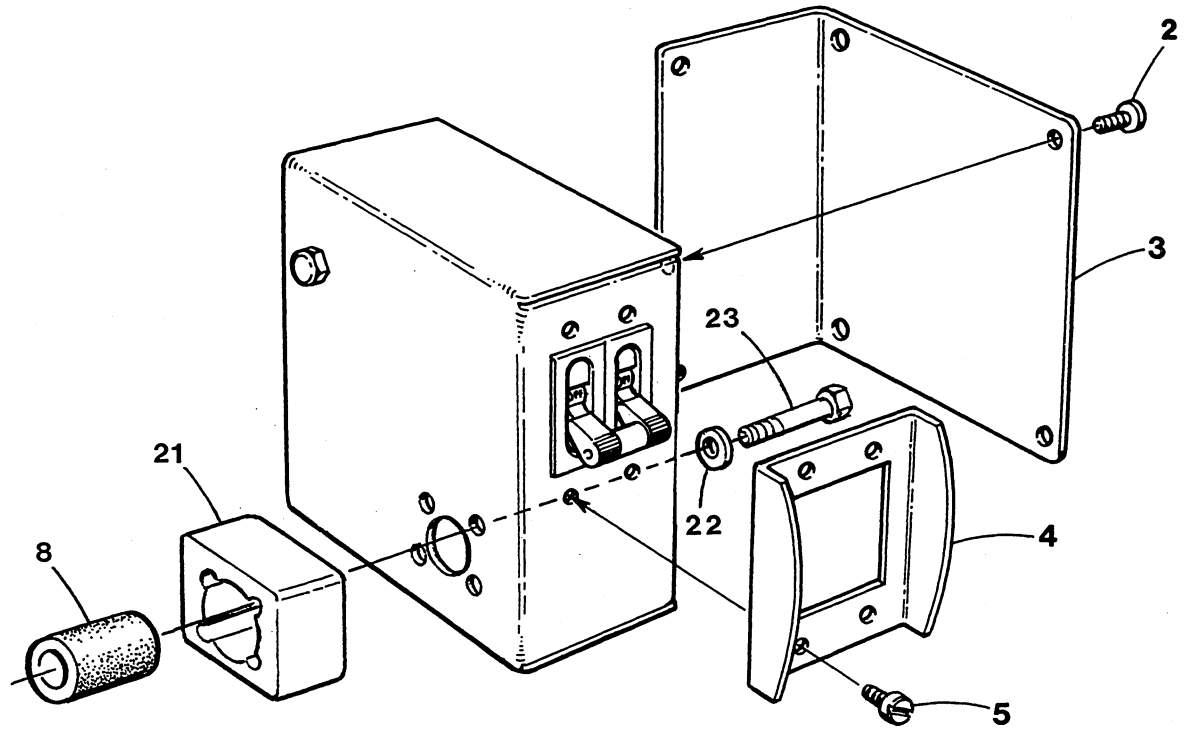
WESTERBEKE 20.0-25.0 BEG - AC OUTPUT AND REGULATOR



WESTERBEKE 20.0-25.0 BEG - AC OUTPUT AND REGULATOR

REF	PN	NAME	REMARKS	QUAN
1	038985	COVER	AC OUTPUT	1
2	031918	SCREW	M 5 X 10 DIN 84A	4
3	036737	CONNECTOR	BOX 1.25" - AC OUTPUT LEADS	1
4	039874	CAPSCREW	M 6 X 20 DIN 912	2
5	031783	LOCKWASHER	M 6 DIN 127	2
6	031784	WASHER	M 6 DIN 125	2
7	039872	CAPSCREW	M10 X 35 DIN 7991	1
8	039875	SCREW	M 4 X 25 DIN 84A	4
9	031917	LOCKWASHER	M 4 DIN 6797A	4
10	042336	REGULATOR	VOLTAGE	1
11-1	039667	HOLDER	FUSE	1
11-2	038471	FUSE		1
12-1	039632	BLOCK	TERMINAL AC OUTPUT	1
12-2	039633	BAR	BUSS	AR
12-3	039634	NUT	M 8 BRASS	AR
13-1	039306	LABEL	AC OUTPUT 1 PHASE	1
13-2	039686	LABEL	AC OUTPUT 3 PHASE	1

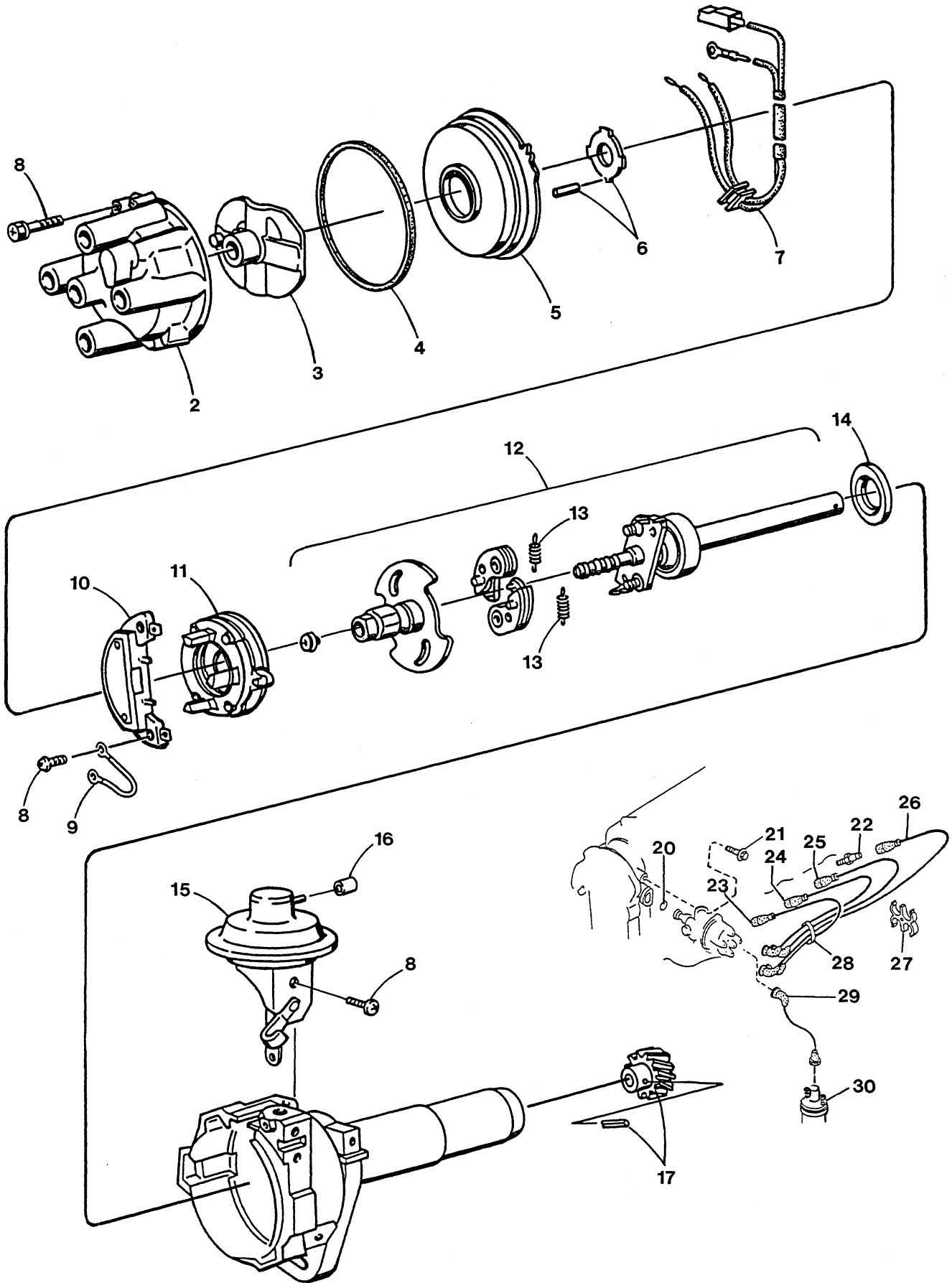
WESTERBEKE 20.0-25.0 BEG - AC OUTPUT CIRCUIT BREAKER 1 PHASE



WESTERBEKE 20.0-25.0 BEG - AC OUTPUT CIRCUIT BREAKER 1 PHASE

REF	PN	NAME	REMARKS	QUAN
1-1	042301	KIT	AC BREAKER 20.0 BEG 60HZ REF 2 THRU 20	1
1-2	039495	KIT	AC BREAKER 25.0 BEG 60HZ REF 2 THRU 20	1
2	031891	SCREW	8-32 X 3/8 SS TRUSS HEAD	6
3-1	043725	COVER	BOX 43724	1
3-2	038966	COVER	BOX 41115	1
4	039082	GUARD		1
5	031852	SCREW	6-32 X 1/4 SS BINDING HEAD	4
6	040996	NIPPLE	1.25"	1
7	038524	NUT	1.25"	4
8	039149	INSULATOR	PROTECT WIRES	1
9-1	042696	BREAKER	CIRCUIT 90 AMP IP 20.0 BEG	1
9-2	043794	BREAKER	CIRCUIT 100 AMP IP 25.0 BEG	1
10	032493	LOCKWASHER	1/4 INTERNAL TOOTH BRONZE	2
11	032498	NUT	1/4NC HEX BRASS	2
12	032499	WASHER	FLAT 1/4 BRASS	2
13	039148	WIRE	WHITE 60 HZ	1
14-1	043724	BOX	CIRCUIT BREAKER FROM JAN 2000	1
14-2	041115	BOX	CIRCUIT BREAKER TO DEC 99	1
15	039147	WIRE	BLACK 60 HZ	1
16	039147	WIRE	BLACK 60 HZ	1
17	031750	NUT	1/4NC	AR
18	031753	WASHER	FLAT 1/4	AR
19	038622	CAPSCREW	1/4NC X 1 BRONZE FULLY THREADED	1
20-1	041462	CONNECTOR	BOX 1.5"	1
20-2	036737	CONNECTOR	BOX 1.25" TO JUNE 2000	1
21	044343	SPACER	BOX TO HOUSING	1
22	031786	LOCKWASHER	M 8 DIN 127	4
23	031225	CAPSCREW	M 8 X 60 DIN 931	47
24	042719	DIAGRAM	AC OUTPUT & CIRCUIT BREAKER WIRING	1

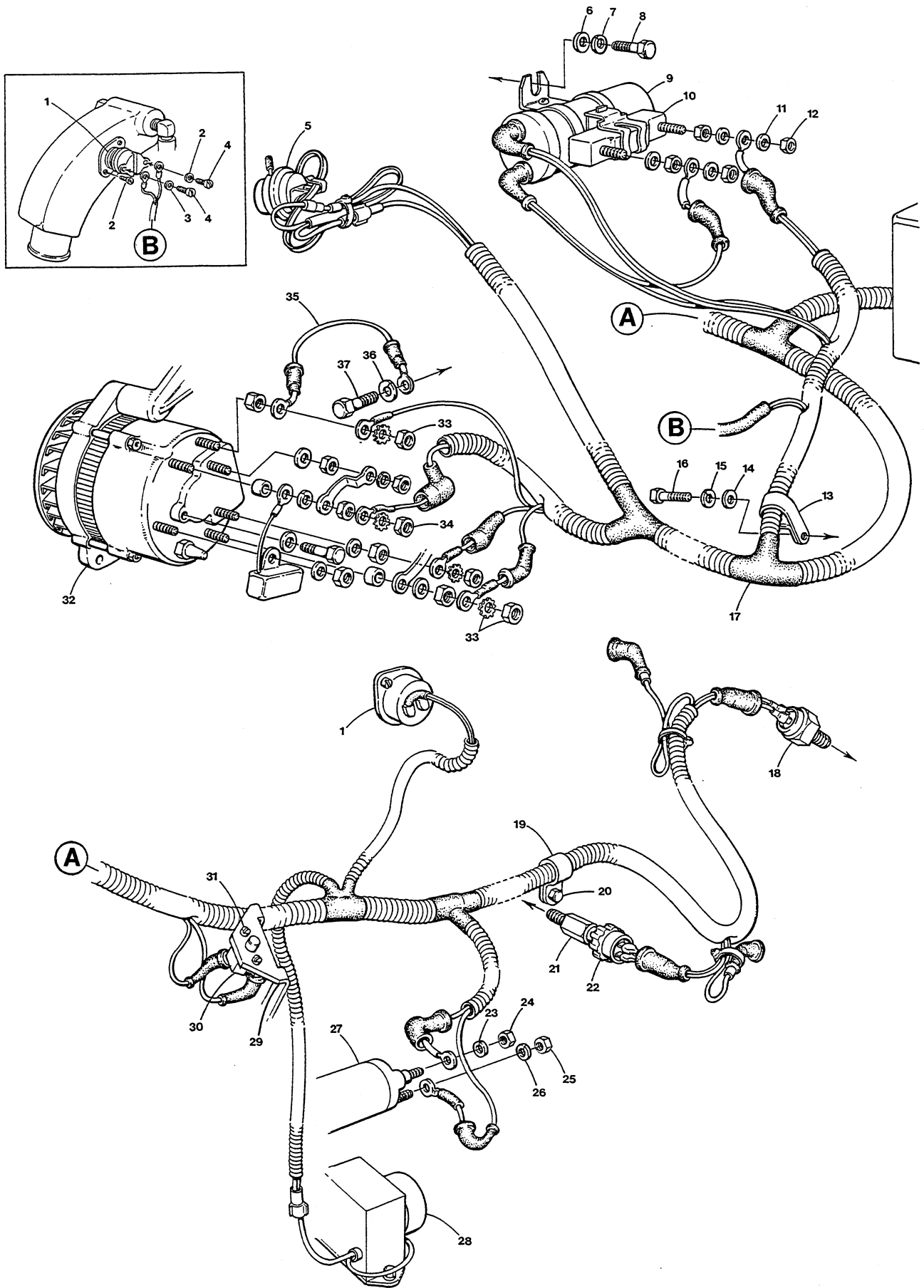
WESTERBEKE 20.0-25.0 BEG - DISTRIBUTOR - COIL - SPARKPLUG



WESTERBEKE 20.0-25.0 BEG - DISTRIBUTOR - COIL - SPARKPLUG

REF	PN	NAME	REMARKS	QUAN
1-1	040857	DISTRIBUTR		1
1-2	045385	DISTRIBUTR	HIGH ENERGY	1
2	040859	CAP	DISTRIBUTOR	1
3	040860	ROTOR		1
4	040872	GASKET		1
5	040871	COVER		1
6-1	040861	ROTOR	IGNITER SIGNAL DISTRIBUTOR 40857	1
6-2	045386	ROTOR	IGNITER SIGNAL DISTRIBUTOR 45385	1
7-1	040865	HARNESS	DISTRIBUTOR 40857	1
7-2	045387	HARNESS	DISTRIBUTOR 45385	1
8-1	040870	SCREW SET	DISTRIBUTOR 40857	1
8-2	045388	SCREW SET	DISTRIBUTOR 45385	1
9	040866	WIRE	DISTRIBUTOR 40857	1
10-1	040864	IGNITER	DISTRIBUTOR 40857 INCLUDING SCREW	1
10-2	043606	IGNITER	DISTRIBUTOR 45385 INCLUDING SCREW	1
11-1	040867	BREAKER	DISTRIBUTOR 40857	1
11-2	043603	BREAKER	DISTRIBUTOR 45385	1
12	040862	GOVERNOR		1
13	040863	SPRING SET	DISTRIBUTOR 40857	1
14	040869	SEAL	OIL	1
15	040868	MODULE	VACUUM ADVANCE	1
16	033885	CAP	VINYL	1
17	040880	GEAR	INCLUDING PIN	1
18	043602	MODULE	PICKUP DISTRIBUTOR 45385	1
19	043604	HEATSINK	DISTRIBUTOR 45385	1
20	040858	O-RING		1
21	042187	CAPSCREW	M 8 X 30 JIS-FLANGE W/WASHER DOG POINT	1
22	043071	SPARKPLUG		4
23	042697	WIRE	SPARKPLUG 1	1
24	042699	WIRE	SPARKPLUG 2	1
25	042700	WIRE	SPARKPLUG 3	1
26	042701	WIRE	SPARKPLUG 4	1
27	040856	BRACKET	SPARKPLUG WIRE SUPPORT	1
28	040756	WIRE SET	SPARKPLUG AND COIL	1
29	037155	WIRE	IGNITION COIL	1
30-1	040853	COIL	IGNITION INCLUDING RESISTOR	1
30-2	033806	COIL	IGNITION - NO RESISTOR USED	1

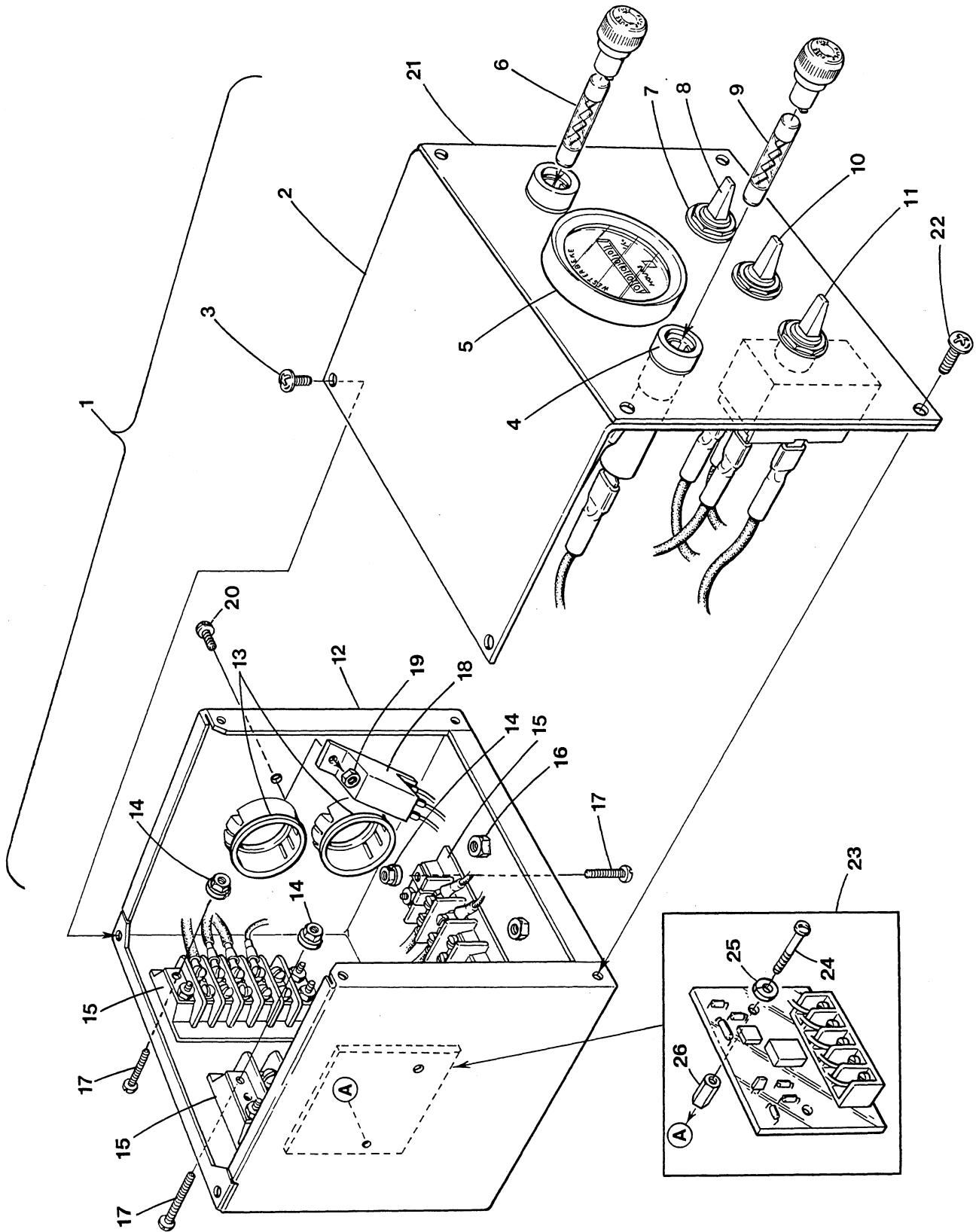
WESTERBEKE 20.0-25.0 BEG - ELECTRICAL SYSTEM



WESTERBEKE 20.0-25.0 BEG - ELECTRICAL SYSTEM

REF	PN	NAME	REMARKS	QUAN
1	032923	SWITCH	EXHAUST TEMPERATURE	1
2	035711	SCREW	6 X 1/4 TAPPING SS	2
3	031844	LOCKWASHER	8 SS	2
4	031911	SCREW	8-32 X 1/4 BRASS BINDING HEAD	2
5-1	040857	DISTRIBUTR		1
5-2	045385	DISTRIBUTR	HIGH ENERGY	1
6	031787	WASHER	M 8 DIN 125	2
7	031786	LOCKWASHER	M 8 DIN 127	2
8-1	016789	CAPSCREW	M 8 X 16 DIN 933	1
8-2	017196	CAPSCREW	M 8 X 20 DIN 933	1
9-1	040853	COIL	IGNITION INCLUDING RESISTOR	1
9-2	033806	COIL	IGNITION - NO RESISTOR USED	1
10	040854	RESISTOR	COIL 40853	1
11	031917	LOCKWASHER	M 4 DIN 6797A	AR
12	031929	NUT	M 4 DIN 934	AR
13	013760	CLAMP	CABLE	1
14	031789	WASHER	M10 DIN 125	1
15	019262	LOCKWASHER	M10 DIN 127	1
16	034470	CAPSCREW	M10 X 45 DIN 931	1
17-1	040623	HARNESS	ENGINE-1 RELAY PANEL 40628	1
17-2	044634	HARNESS	ENGINE-2 RELAY PANEL 44633	1
18	039550	SWITCH	WATER TEMPERATURE	1
19	013736	CLAMP	CABLE	1
20-1	024951	CAPSCREW	M10 X 1.25 X 20 DIN 961	1
20-2	019262	LOCKWASHER	M10 DIN 127	1
21	024844	ADAPTER	1/8 BSPT TO 1/8 NPT	1
22	037323	SWITCH	OIL PRESSURE	1
23	034575	LOCKWASHER	M10 DIN 127B BRONZE	1
24	032438	NUT	M10 DIN 939 BRASS	1
25	018241	NUT	M 5 DIN 934	1
26	031780	LOCKWASHER	M 5 DIN 127	1
27	039523	SOLENOID	STARTER MOTOR 38384 12 VDC	1
28	039273	PUMP	FUEL LIFT 12 VDC	1
29	040606	BRACKET	CIRCUIT BREAKER	1
30	024683	BREAKER	CIRCUIT 20 AMP	1
31	043480	SCREW	8-32 X 7/8 SS HEX WASHER HEAD	2
32	039790	ALTERNATOR	12 VDC 50 AMP	1
33	031904	NUT	10-24 KEPS SS	4
34	200120	NUT	1/4NC KEPS	1
35	041022	WIRE	ALTERNATOR GROUND TO BRACKET	1
36	019262	LOCKWASHER	M10 DIN 127	1
37	024952	CAPSCREW	M10 X 1.25 X 25 DIN 961	1

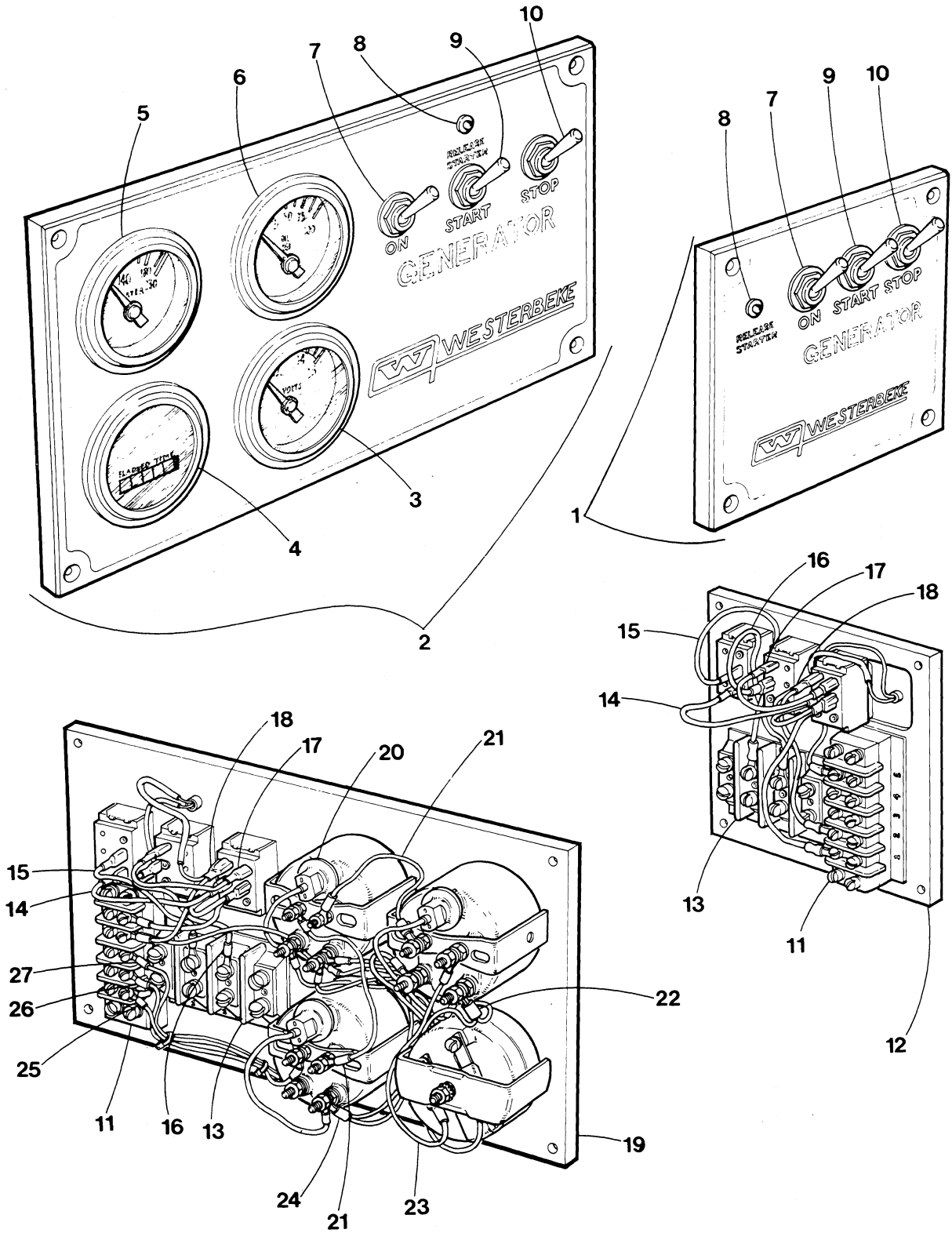
WESTERBEKE 20.0-25.0 BEG - GENERATOR CONTROL PANEL



WESTERBEKE 20.0-25.0 BEG - GENERATOR CONTROL PANEL

REF	PN	NAME	REMARKS	QUAN
1-1	040628	PANEL	GENSET CONTROL W/HARNESS 1 RELAY TO 6/001	
1-2	044633	PANEL	GENSET CONTROL W/HARNESS 2 RELAY FR 6/001	
2	037147	COVER	PANEL BOX	1
3	031891	SCREW	8-32 X 3/8 SS PHILLIPS TRUSS HEAD	2
4	033767	HOLDER	FUSE	2
5	036192	METER	HOUR	1
6	011468	FUSE	15 AMP	1
7	031999	RING	TOGGLE SWITCH POSITIONING	3
8	033631	SWITCH	STOP - RED HANDLE	1
9	033769	FUSE	8 AMP	1
10	033632	SWITCH	START - WHITE HANDLE	1
11	033633	SWITCH	ON - BLACK HANDLE	1
12	037146	BOX	CONTROL PANEL	1
13	023938	BUSHING	NYLON SNAP	2
14	050234	NUT	6-32 KEPS	12
15-1	019121	BLOCK	TERMINAL	3
15-2	019122	MARKER	TERMINAL BLOCK	3
15-3	015222	PLATE	SCREW	6
15-4	015223	JUMPER	TERMINAL BLOCK	3
16	200125	NUT	10-32 KEPS	4
17	031855	SCREW	6-32 X 5/8 SS BINDING HEAD	12
18-1	037833	RELAY	12 VDC PANEL 40628	1
18-2	037833	RELAY	12 VDC PANEL 44633	2
19-1	031842	NUT	8-32 HEX SS PANEL 40628	1
19-2	031843	WASHER	FLAT 8 SS PANEL 40628	1
19-3	031844	LOCKWASHER	8 SS PANEL 40628	1
19-4	031842	NUT	8-32 HEX SS PANEL 44633	2
19-5	031843	WASHER	FLAT 8 SS PANEL 44633	2
19-6	031844	LOCKWASHER	8 SS PANEL 44633	2
20-1	031862	SCREW	8-32 X 3/8 SS BINDING HEAD PANEL 40628	1
20-2	031862	SCREW	8-32 X 3/8 SS BINDING HEAD PANEL 44633	2
21	038372	PLATE	CONTROL PANEL FACE	1
22	034421	SCREW	8-32 X 3/8 TRUSS HEAD BLACK PHILLIPS	4
23	041196	SHUTDOWN	OVERSPEED INCL REF 23 THRU 27	1
24	031853	SCREW	6-32 X 3/8 SS BINDING HEAD	4
25	031841	LOCKWASHER	6 EXTERNAL TOOTH SS	4
26	041180	STANDOFF		2
27	043751	CAPACITOR		1
28	039240	DIODE		1
29-1	040623	HARNESS	ENGINE-1 RELAY PANEL 40628	1
29-2	044634	HARNESS	ENGINE-2 RELAY PANEL 44633	1
30-1	040624	HARNESS	PANEL 40628	1
30-2	044616	HARNESS	PANEL 44633	1
31	033514	LABEL	GENSET OPERATING INSTRUCTIONS	1
32	033748	LABEL	GASOLINE VAPOR WARNING	1

WESTERBEKE 20.0-25.0 BEG - REMOTE CONTROL PANELS



WESTERBEKE 20.0-25.0 BEG - REMOTE CONTROL PANELS

REF	PN	NAME	REMARKS	QUAN
1	033703	PANEL	REMOTE START-STOP	1
2	036055	PANEL	REMOTE INSTRUMENT INCLUDING SENDERS	1
3	037605	VOLTMETER	12 VDC	1
4	036192	METER	HOUR	1
5	037601	METER	WATER TEMPERATURE	1
6	037603	METER	OIL PRESSURE 0-100 PSI	1
7	033633	SWITCH	ON - BLACK HANDLE	1
8-1	032975	LED		1
8-2	013723	RESISTOR		1
8-3	013724	DIODE		1
9	033632	SWITCH	START - WHITE HANDLE	1
10	033631	SWITCH	STOP - RED HANDLE	1
11-1	019121	BLOCK	TERMINAL	1
11-2	019122	MARKER	TERMINAL BLOCK	1
11-3	031864	SCREW	8-32 X 5/8 SS BINDING HEAD	4
11-4	031844	LOCKWASHER	8 SS	4
11-5	031843	WASHER	FLAT 8 SS	4
12	033917	PLATE	REMOTE PANEL 33703	1
13-1	012975	BLOCK	TERMINAL	1
13-2	013364	MARKER	TERMINAL BLOCK	1
13-3	031865	SCREW	8-32 X 3/4 SS BINDING HEAD	4
13-4	031844	LOCKWASHER	8 SS	4
14	034215	WIRE	RED-PURPLE	1
15	034214	WIRE	RED-PURPLE	1
16	034216	WIRE	YELLOW-RED	1
17	033912	WIRE	YELLOW-RED	1
18	034217	WIRE	PURPLE	1
19	033916	PLATE	REMOTE INSTRUMENT PANEL 36055	1
20-1	042893	LAMP	INSTRUMENT INCLUDING HOLDER	3
20-2	035825	WIRE	LAMP POWER CONNECTION	3
21	034223	WIRE	BLACK	2
22	034221	WIRE	PURPLE	1
23	034222	WIRE	BLACK	1
24	034220	WIRE	PURPLE	1
25	034224	WIRE	BLACK	1
26	034219	WIRE	TAN	1
27	034218	WIRE	BLUE	1
28	031999	RING	TOGGLE SWITCH POSITIONING	3
29-1	035698	DIAGRAM	WIRING PANEL 36055	1
29-2	035706	DIAGRAM	WIRING PANEL 33703	1

WESTERBEKE 20.0-25.0 BEG - MISCELLANEOUS

REF	PN	NAME	REMARKS	QUAN
1	040751	KIT A	SPARE PARTS	1
2	040752	KIT B	EXTENDED CRUISING	1
3	040753	GASKET SET	UPPER	1
4	040754	GASKET SET	COMPLETE	1
5	024177	KIT	REMOTE FRESH WATER SURGE TANK	1
6	013758	PAINT	RED AEROSOL SPRAY CAN	1
7	032149	KIT	REMOTE LUBE OIL FILTER	1
8	020654	SPLITTER	ALTERNATOR OUTPUT	1
9	041302	MANUAL	OPERATOR	1
10	048088	MANUAL	SERVICE	1
11	033327	VALVE	ANTI-SIPHON	1
12-1	032010	SWITCH	SHIP-SHORE 20.0 BEG 120/240VAC	1
12-2	032133	SWITCH	SHIP-SHORE 20.0 BEG 120VAC	1
12-3	032133	SWITCH	SHIP-SHORE 25.0 BEG 120/240VAC	1
13	036055	PANEL	REMOTE INSTRUMENT INCLUDING SENDERS	1
14	033703	PANEL	REMOTE START-STOP	1
15-1	043474	MUFFLER	HYDRO-HUSH 20.0 BEG	1
15-2	042154	MUFFLER	HYDRO-HUSH 25.0 BEG	1
16	015010	STRAINER	SEA WATER	1

PART NO	PAGE	REF	PART NO	PAGE	REF	PART NO	PAGE	REF
011263	125	17	018147	117	2	024637	115	44
011386	115	26	018148	117	17	024674	131	8
011386	121	45	018149	117	16	024683	143	30
011386	123	4	018151	117	9	024786	115	43
011419	117	12	018152	117	10	024844	143	21
011468	145	6	018153	117	13	024858	115	41
011471	115	27	018154	117	7	024905	109	21
011597	123	14-3	018164	117	18	024906	113	22
011597	125	7-3	018180	117	4	024906	115	8
011597	125	15-3	018241	143	25	024906	115	45
011709	121	52	018242	115	20	024907	113	21
011779	115	25	018242	125	30	024907	115	5
011779	121	47	018812	119	27	024922	109	22
011885	115	32	019121	145	15-1	024951	125	4
011907	117	11	019121	147	11-1	024951	143	20-1
011984	111	7	019122	145	15-2	024952	111	12
012975	147	13-1	019122	147	11-2	024952	119	16
013329	123	14-1	019262	111	11	024952	143	37
013329	125	7-1	019262	115	40-2	024953	119	1
013339	115	6	019262	119	2	024953	133	15
013364	147	13-2	019262	119	5	024954	131	3
013619	115	37	019262	119	15	024956	131	23
013629	133	17	019262	119	35	024977	115	42
013629	135	38	019262	123	17	030146	133	28
013630	103	6	019262	125	3	030291	109	27
013631	133	3	019262	131	2	030711	101	8
013723	147	8-2	019262	131	22	030999	105	4
013724	147	8-3	019262	133	4	031084	109	23
013736	113	33	019262	133	7	031225	139	23
013736	143	19	019262	133	16	031501	123	12
013758	148	6	019262	133	18	031506	115	31
013760	143	13	019262	133	24	031555	119	33
014774	117	5	019262	135	37	031555	131	16
015010	148	16	019262	143	15	031555	131	27
015222	145	15-3	019262	143	20-2	031631	121	39
015223	145	15-4	019262	143	36	031709	119	23
015238	131	10	019321	115	35-2	031713	131	5
015830	103	12	019364	119	13	031715	131	28
015830	103	30	019364	127	12	031750	139	17
015830	115	11	019369	111	8-1	031752	115	30
015830	125	33	019369	113	27-1	031752	123	13
015887	119	4	019369	117	23	031753	115	29
016676	123	14-2	019449	125	15-1	031753	139	18
016676	125	7-2	020654	148	8	031758	119	32
016676	125	15-2	021122	113	19	031760	125	18-1
016789	143	8-1	021122	115	22	031764	121	42
017012	123	18	022392	117	20	031765	121	40
017196	103	25	022513	123	8	031766	121	43
017196	113	14	022850	115	34	031774	131	13
017196	119	19	022851	115	35-1	031776	119	22
017196	125	6	022852	115	33	031776	131	12
017196	143	8-2	023938	145	13	031777	119	21
017298	125	22	024132	111	8-2	031777	131	6
018142	117	19	024177	148	5	031780	143	26
018143	117	14	024306	115	4	031783	123	19
018144	117	21	024349	101	6	031783	133	29
018145	117	6	024373	101	7	031783	135	44
018146	117	22	024374	101	4	031783	137	5

PART NO	PAGE	REF	PART NO	PAGE	REF	PART NO	PAGE	REF
031784	133	30	031917	137	9	033885	141	16
031784	137	6	031917	143	11	033912	147	17
031786	103	5	031918	137	2	033916	147	19
031786	103	24	031929	143	12	033917	147	12
031786	113	15	031931	135	49	033975	125	28
031786	113	29	031935	115	1	033979	127	34
031786	115	19	031999	145	7	033980	127	35
031786	115	38	031999	147	28	033981	127	33
031786	119	18	032010	148	12-1	034077	125	25
031786	119	28	032133	148	12-2	034078	103	18
031786	125	5	032133	148	12-3	034118	103	9
031786	125	31	032148	111	9	034119	101	5
031786	139	22	032149	148	7	034123	111	26
031786	143	7	032183	117	3	034142	107	8
031787	113	16	032183	117	15	034167	103	10
031787	113	28	032438	143	24	034169	101	2
031787	115	39	032493	139	10	034172	103	14
031787	125	32	032498	139	11	034175	103	21
031787	143	6	032499	139	12	034214	147	15
031789	119	38	032923	143	1	034215	147	14
031789	133	5	032975	147	8-1	034216	147	16
031789	133	8	033064	119	29	034217	147	18
031789	133	19	033228	121	54	034218	147	27
031789	135	36	033327	148	11	034219	147	26
031789	143	14	033329	117	24	034220	147	24
031792	119	9	033347	119	8	034221	147	22
031797	133	10	033372	121	55	034222	147	23
031798	133	11	033381	119	31	034223	147	21
031810	135	43	033514	145	31	034224	147	25
031835	125	18-2	033530	131	7	034234	125	1
031841	145	25	033560	119	10	034421	145	22
031842	145	19-1	033574	131	11	034470	123	16
031842	145	19-4	033574	131	25	034470	133	6
031843	145	19-2	033606	125	19	034470	143	16
031843	145	19-5	033612	129	51	034575	143	23
031843	147	11-5	033613	129	52	034589	119	34
031844	143	3	033616	129	53	034593	131	29
031844	145	19-3	033631	145	8	034663	111	5
031844	145	19-6	033631	147	10	034894	125	21
031844	147	11-4	033632	145	10	035109	113	27-2
031844	147	13-4	033632	147	9	035411	115	2
031847	119	12	033633	145	11	035435	113	23
031847	127	13-1	033633	147	7	035435	115	7
031849	119	14	033657	101	3	035440	121	51
031849	127	13-2	033657	103	29	035698	147	29-1
031852	139	5	033668	109	6	035706	147	29-2
031853	145	24	033700	127	15	035711	143	2
031855	145	17	033703	147	1	035736	113	25
031862	145	20-1	033703	148	14	035747	115	21
031862	145	20-2	033716	129	54	035799	109	20
031864	147	11-3	033748	145	32	035825	147	20-2
031865	147	13-3	033753	125	29	035894	125	23
031891	139	2	033767	145	4	036055	147	2
031891	145	3	033769	145	9	036055	148	13
031904	143	33	033806	141	30-2	036120	131	9
031911	143	4	033806	143	9-2	036120	131	24
031914	135	48	033808	103	17	036136	123	15
031915	133	33	033808	125	24	036158	129	47

PART NO	PAGE	REF	PART NO	PAGE	REF	PART NO	PAGE	REF
036192	145	5	037146	145	12	039633	137	12-2
036192	147	4	037147	145	2	039634	137	12-3
036263	127	17	037155	141	29	039637	133	23
036264	127	4	037323	143	22	039638	133	27
036265	127	27	037393	109	25	039639	133	31
036266	127	14	037601	147	5	039642	133	32-3
036267	127	7	037603	147	6	039665	133	32-2
036268	127	29	037605	147	3	039666	135	47
036269	127	9	037833	145	18-1	039667	137	11-1
036270	127	40	037833	145	18-2	039668	133	22
036271	127	37	038052	123	3	039669	133	35
036272	127	32	038153	115	16	039686	137	13-2
036273	129	46	038158	123	9	039782	133	32-4
036274	129	49	038161	123	7	039783	133	32-5
036275	129	45	038173	123	10	039784	133	26
036276	129	42	038193	113	31	039785	133	21
036277	127	31	038193	115	17	039790	119	24
036278	129	50	038193	123	1	039790	143	32
036279	127	3	038221	115	15	039867	117	8
036280	127	18	038267	129	55	039868	133	32-7
036280	127	20	038300	115	28-1	039869	133	20
036281	127	25	038372	145	21	039870	133	32-8
036282	129	59	038384	133	1	039871	133	34
036283	127	24	038392	133	13-2	039872	137	7
036284	127	38	038445	117	1	039873	133	32-9
036285	127	30	038445	121	41	039874	137	4
036286	127	10	038471	137	11-2	039875	137	8
036287	127	28	038510	125	16	040020	133	13-1
036289	127	11	038524	139	7	040142	125	27
036290	127	26	038622	139	19	040151	103	19
036291	127	16	038698	131	14	040160	119	3
036292	127	39	038760	115	13-1	040206	113	26
036293	127	8	038848	113	32	040208	111	10
036294	129	48	038848	115	18	040364	113	9
036295	127	22	038848	115	24	040408	119	17
036296	127	2	038966	139	3-2	040414	113	17
036297	129	43	038985	137	1	040416	131	1
036298	129	44	039074	135	39	040418	131	21
036299	127	23	039076	115	40-1	040428	133	12
036300	127	5	039082	139	4	040434	113	24
036301	127	19	039147	139	15	040435	113	18
036302	129	41	039147	139	16	040440	111	6
036304	127	6	039148	139	13	040506	111	1
036305	127	21	039149	139	8	040507	111	2
036315	127	36	039240	145	28	040508	111	3
036450	127	1-2	039273	123	11	040548	121	46
036493	109	26	039273	143	28	040548	123	5
036614	115	14	039306	137	13-1	040550	125	8
036614	115	36	039318	133	25	040551	119	11
036614	121	48	039334	115	13-2	040552	121	56
036622	121	44	039454	125	20	040553	119	30
036652	135	42-1	039454	127	1-1	040554	113	20
036737	137	3	039495	139	1-2	040554	115	23
036737	139	20-2	039523	133	2	040555	119	26
036821	109	24	039523	143	27	040556	125	2
036849	115	12	039550	143	18	040557	103	23
036871	135	40	039630	133	32-1	040558	125	14
036918	111	4	039632	137	12-1	040564	133	32-6

PART NO	PAGE	REF	PART NO	PAGE	REF	PART NO	PAGE	REF
040603	133	9	040802	105	2-1	040862	141	12
040606	143	29	040803	105	2-2	040863	141	13
040611	103	7	040804	105	2-3	040864	141	10-1
040618	103	4	040805	105	1-1	040865	141	7-1
040618	119	37	040806	105	1-2	040866	141	9
040623	143	17-1	040807	105	1-3	040867	141	11-1
040623	145	29-1	040808	105	13-1	040868	141	15
040624	145	30-1	040809	105	13-2	040869	141	14
040628	145	1-1	040810	105	13-3	040870	141	8-1
040751	148	1	040811	105	13-4	040871	141	5
040752	148	2	040812	107	16	040872	141	4
040753	148	3	040813	107	9	040873	133	14
040754	148	4	040814	107	11	040874	105	5-1
040755	101	1	040815	107	12	040875	105	5-2
040756	141	28	040816	107	14	040876	105	5-3
040757	103	2	040817	107	10	040877	105	5-4
040758	101	11	040818	107	4	040878	125	12
040759	107	18	040819	107	6	040879	125	10
040760	103	26	040820	107	5	040880	141	17
040761	103	27	040821	107	2	040881	105	11
040762	107	13	040822	107	1	040912	111	14
040763	107	15	040823	107	3	040912	121	49
040765	109	11	040824	107	7	040913	121	53
040766	109	12	040825	107	20	040914	119	6
040767	103	28	040826	107	17	040915	119	20
040768	103	16	040827	107	19	040917	119	36
040769	103	20	040828	107	22	040996	139	6
040770	103	15	040829	107	21	041020	119	7
040771	103	13	040830	107	23	041022	143	35
040772	103	1	040831	107	24	041090	135	42-2
040773	103	8	040832	113	12	041115	139	14-2
040774	101	10	040833	125	26	041180	145	26
040775	111	17	040835	115	9	041196	145	23
040776	101	9	040836	115	10	041301	115	28-2
040777	101	14	040838	125	11	041302	148	9
040778	109	19	040840	111	22	041424	109	17
040779	109	18	040841	111	24	041425	109	7
040780	101	13	040842	111	25	041431	111	13
040781	101	12	040843	111	19	041431	111	32
040782	109	2	040844	111	15	041431	121	50
040783	109	3	040845	111	18	041462	139	20-1
040784	109	8	040846	111	21	041790	115	3
040785	109	9	040847	111	20	042089	135	45
040786	113	1	040848	111	31	042154	148	15-2
040787	113	4	040849	111	28	042186	103	3
040788	113	8	040850	113	2	042187	141	21
040790	109	10	040851	113	11	042301	139	1-1
040790	111	23	040852	113	7	042336	137	10
040792	105	3	040853	141	30-1	042410	125	13
040793	105	6	040853	143	9-1	042696	139	9-1
040794	109	15	040854	143	10	042697	141	23
040795	109	13	040856	141	27	042699	141	24
040796	105	7	040857	141	1-1	042700	141	25
040797	105	8	040857	143	5-1	042701	141	26
040798	105	12	040858	141	20	042719	139	24
040799	109	16	040859	141	2	042817	125	9
040800	105	9	040860	141	3	042893	147	20-1
040801	105	10	040861	141	6-1	043071	141	22

PART NO	PAGE	REF
043474	148	15-1
043480	143	31
043602	141	18
043603	141	11-2
043604	141	19
043606	141	10-2
043724	139	14-1
043725	139	3-1
043751	145	27
043794	139	9-2
044016	109	14
044024	113	13
044027	111	30
044029	111	29
044030	103	22
044030	109	1
044030	109	5
044032	109	4
044210	111	16
044343	139	21
044616	145	30-2
044633	145	1-2
044634	143	17-2
044634	145	29-2
045019	119	25
045385	141	1-2
045385	143	5-2
045386	141	6-2
045387	141	7-2
045388	141	8-2
045389	113	3
045390	111	27
045391	111	33
045392	103	11
045393	107	25
048088	148	10
050234	145	14
200120	143	34
200125	145	16
200127	131	15
298460	113	30
301136	131	26

